

TOOLS

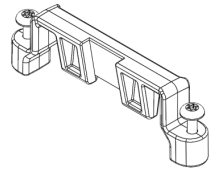


T8 Torx Tool provided



5 min

PARTS



1 x Security Latch Blocker

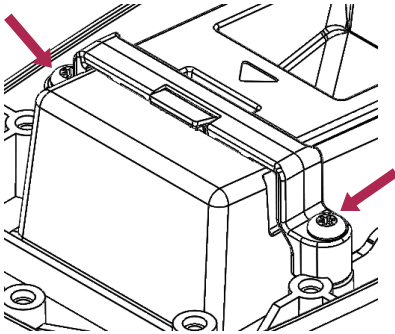
1



Step 1
Assemble PED and Backplate to plinth
(Refer to Backplate Installation Guide)

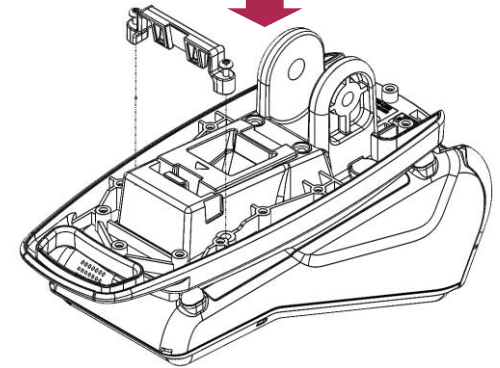
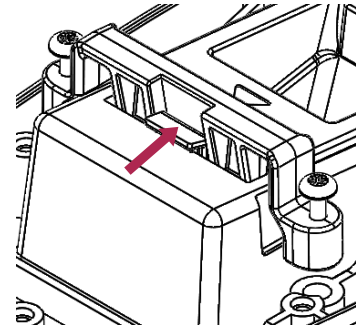
3

Step 3
Tighten Torx screws using Torx tool provided until hand tight.



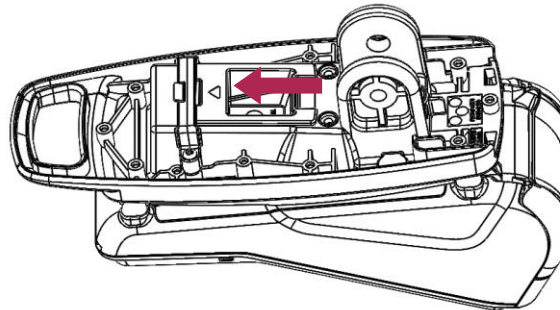
2

Step 2
Slide Security Latch Blocker into position.
Ensure the cut out slides behind FirstBase latch clip.



4

Step 4
Check that FirstBase latch is locked in place and the Backplate can't be unclipped.
Installation Complete



To remove reverse steps 1-4

