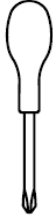


FlexiGrip DuoLock

TOOLS

RECOMMENDED

Torque setting 40CNm for all screw fixings unless otherwise stated.

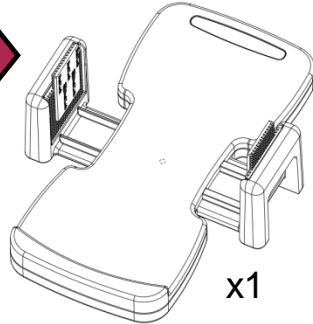


PZ



5 min

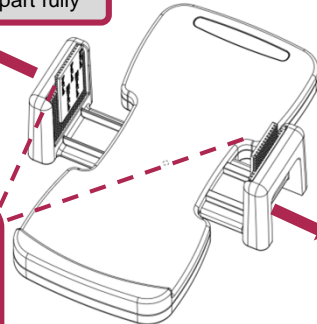
PARTS



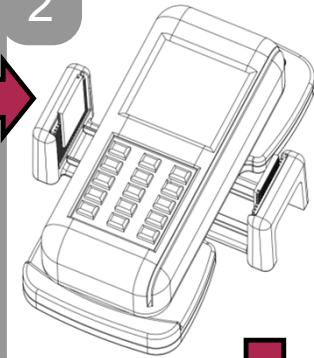
1

Pull arms apart fully

IMPORTANT
Peel off plastic protective backing from both thin pads



2

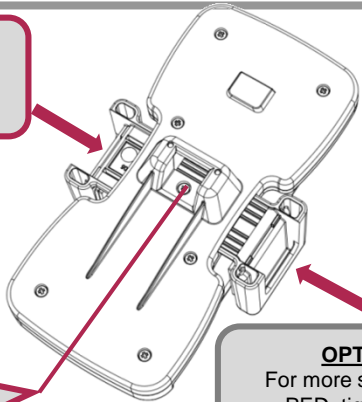


IMPORTANT
Place PED into FlexiGrip, ensuring the DuoLock pads do not interfere with card swipe area

5

IMPORTANT
Grip tightly at sides of arms while screwing

Tighten screw fully

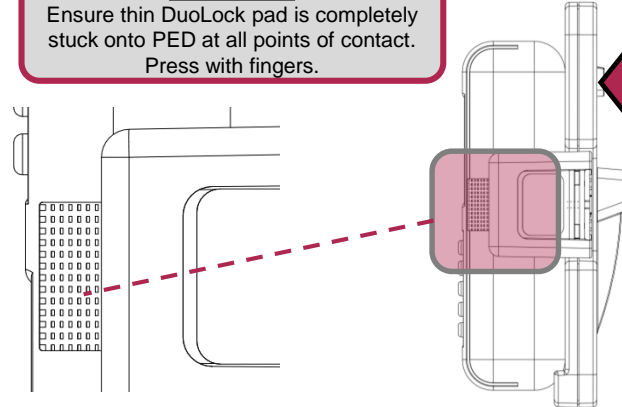


OPTIONAL
For more secure grip of PED, tighten screw clockwise with screwdriver

4

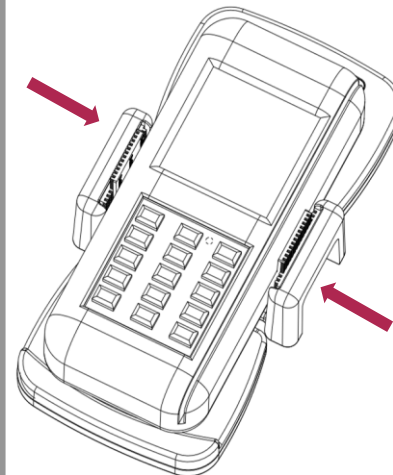
IMPORTANT

Ensure thin DuoLock pad is completely stuck onto PED at all points of contact. Press with fingers.



3

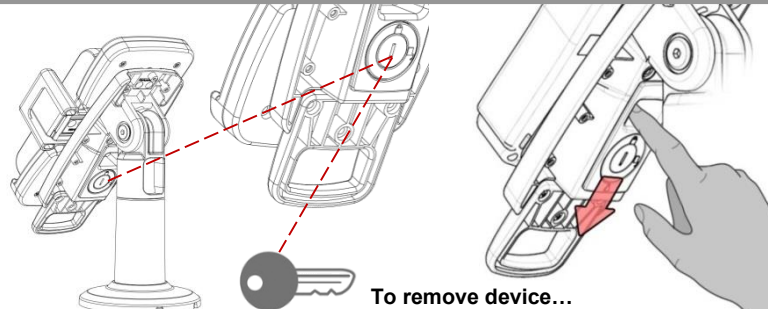
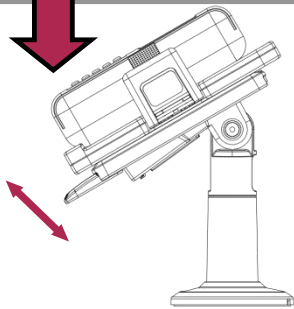
IMPORTANT
Push arms together as tightly as possible



7

OPTIONAL

If locking device, turn key then remove to secure.
To unlock, first ensure key fitted.



To remove device...