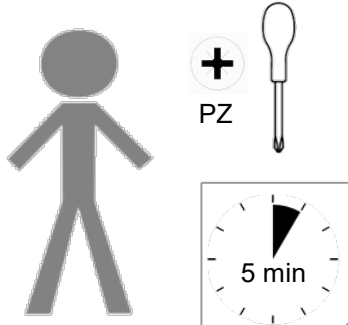


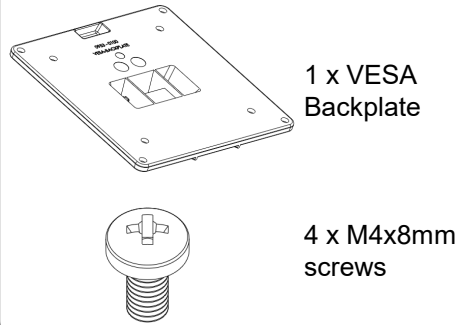
VESA Backplate

Quick Installation Guide

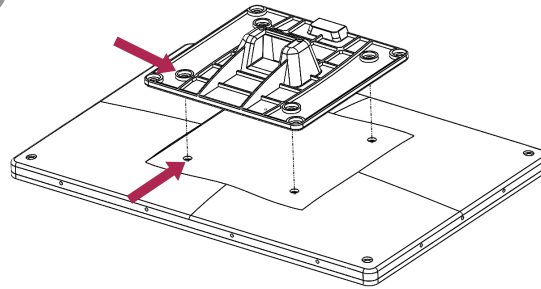
TOOLS



PARTS



1

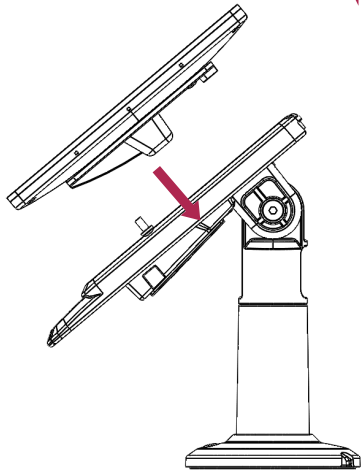


Step 1

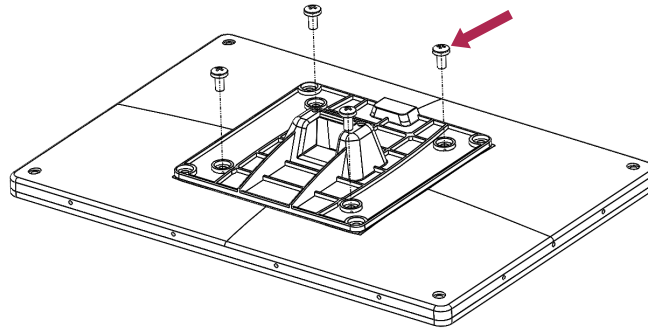
Align holes of VESA backplate with corresponding mounting holes of device.

3

Step 3
Fit device onto stand.
Press firmly until click.



2



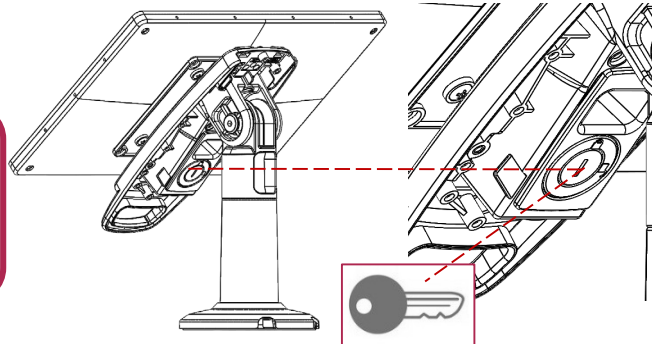
Step 2

Fit screws using screwdriver to hand tighten.
(M4 screws supplied. For other sizes refer to display manufacturer handbook)

OPTIONAL

SAFEBASE OPTION

To lock device, turn key clockwise then remove key.
To unlock, turn counter-clockwise.



To remove device

