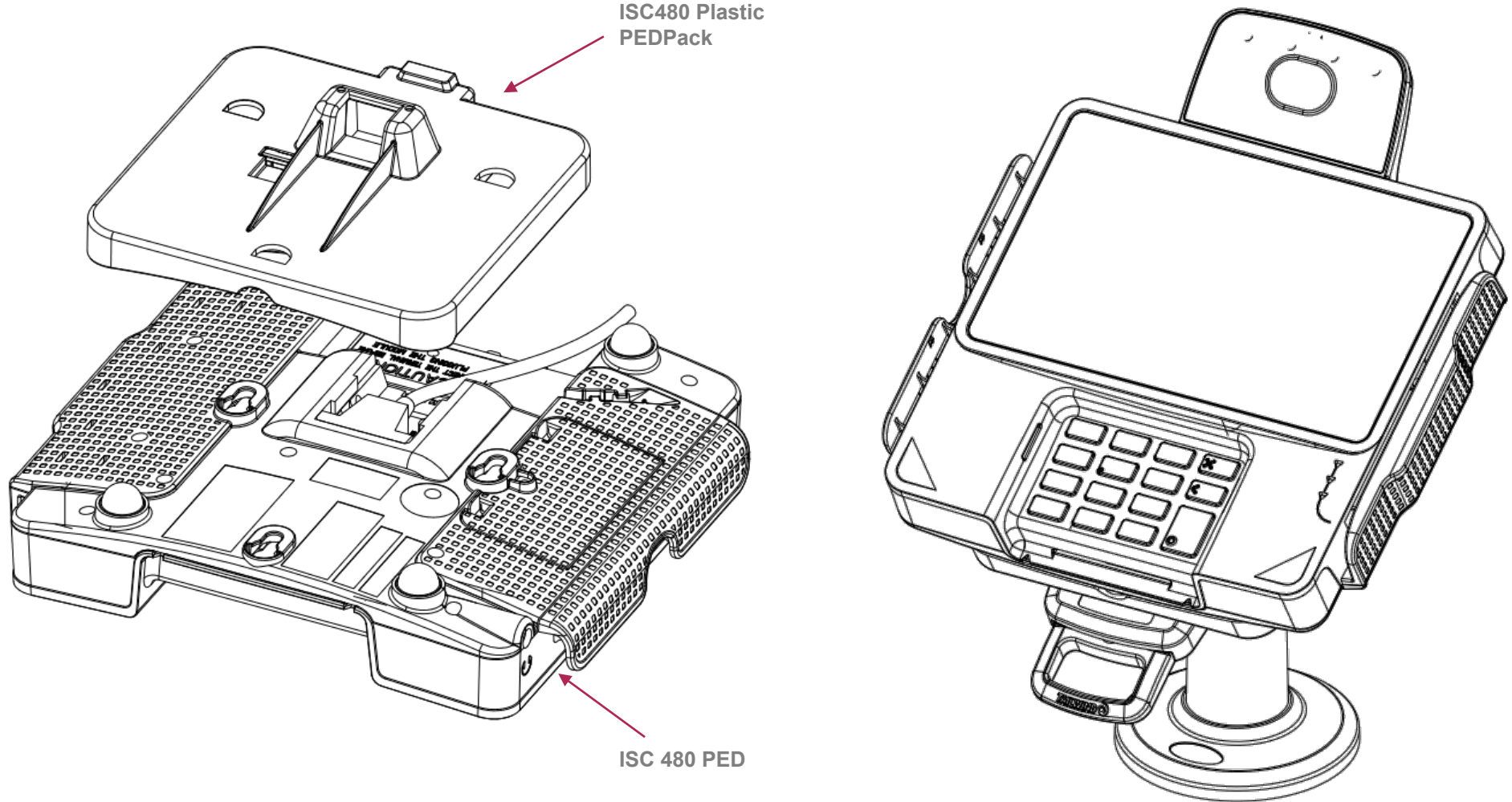


ISC480 Plastic
PEDPack

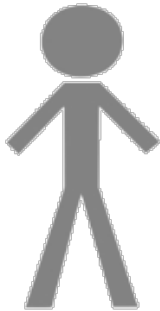
ISC 480 PED



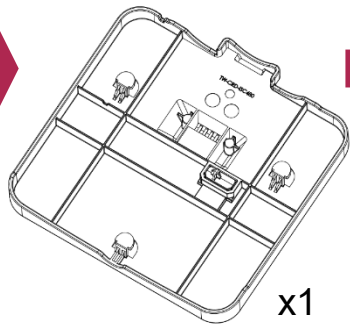
Ingenico iSC480 PEDPack

Quick Installation Guide

TOOLS

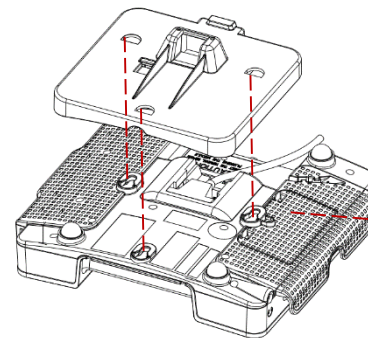


PARTS

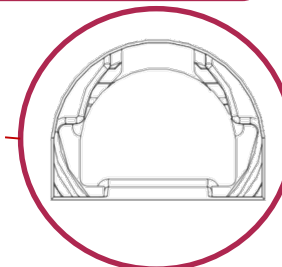


1

Ensure 3 tabs on PEDPack line up with 3 semi circular holes in PED

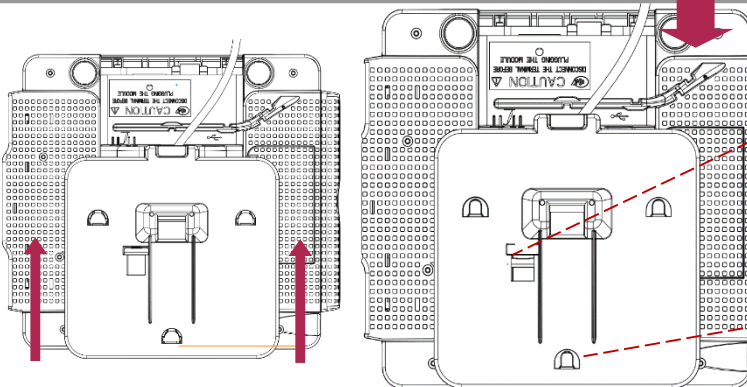


Fit PEDPack downwards, slot tabs into holes in all three positions



2

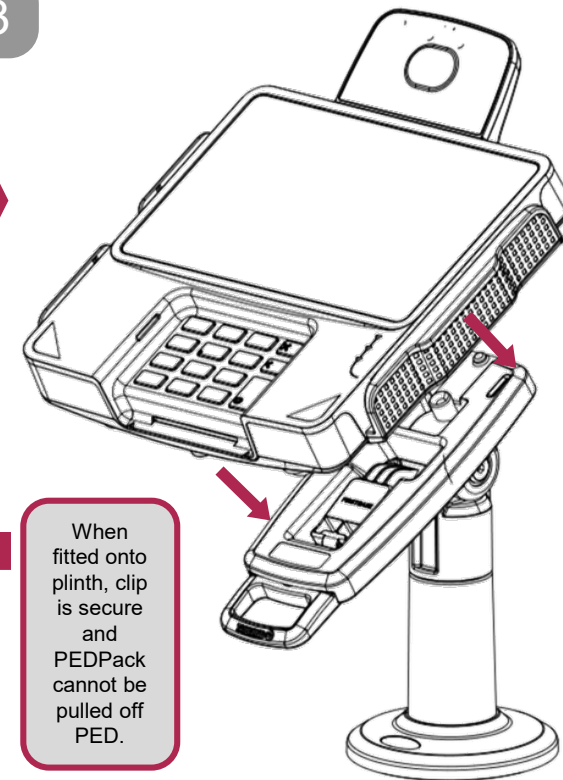
Once tabs are slotted, push PEDPack upwards until tabs are captured in keyholes



Push clip down to click in place

Check 3 tabs are captured and PEDpack cannot be pulled upwards

3



When fitted onto plinth, clip is secure and PEDPack cannot be pulled off PED.

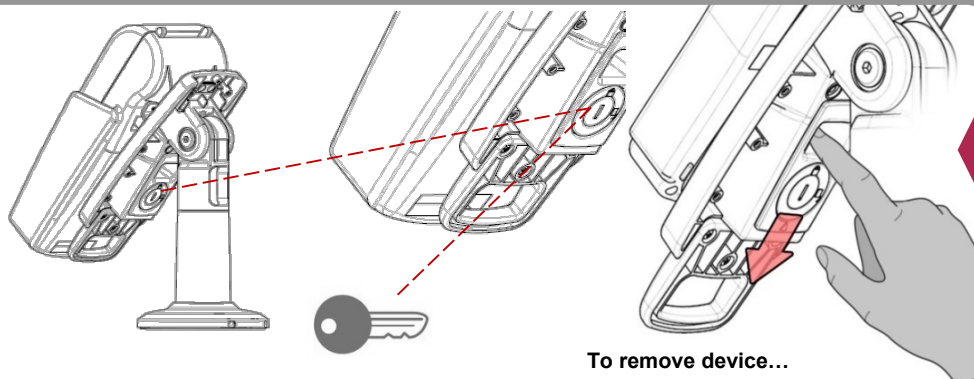
4

GENERIC PED SHOWN

OPTIONAL

If locking device, turn key then remove to secure.

To unlock, first ensure key fitted.



To remove device...