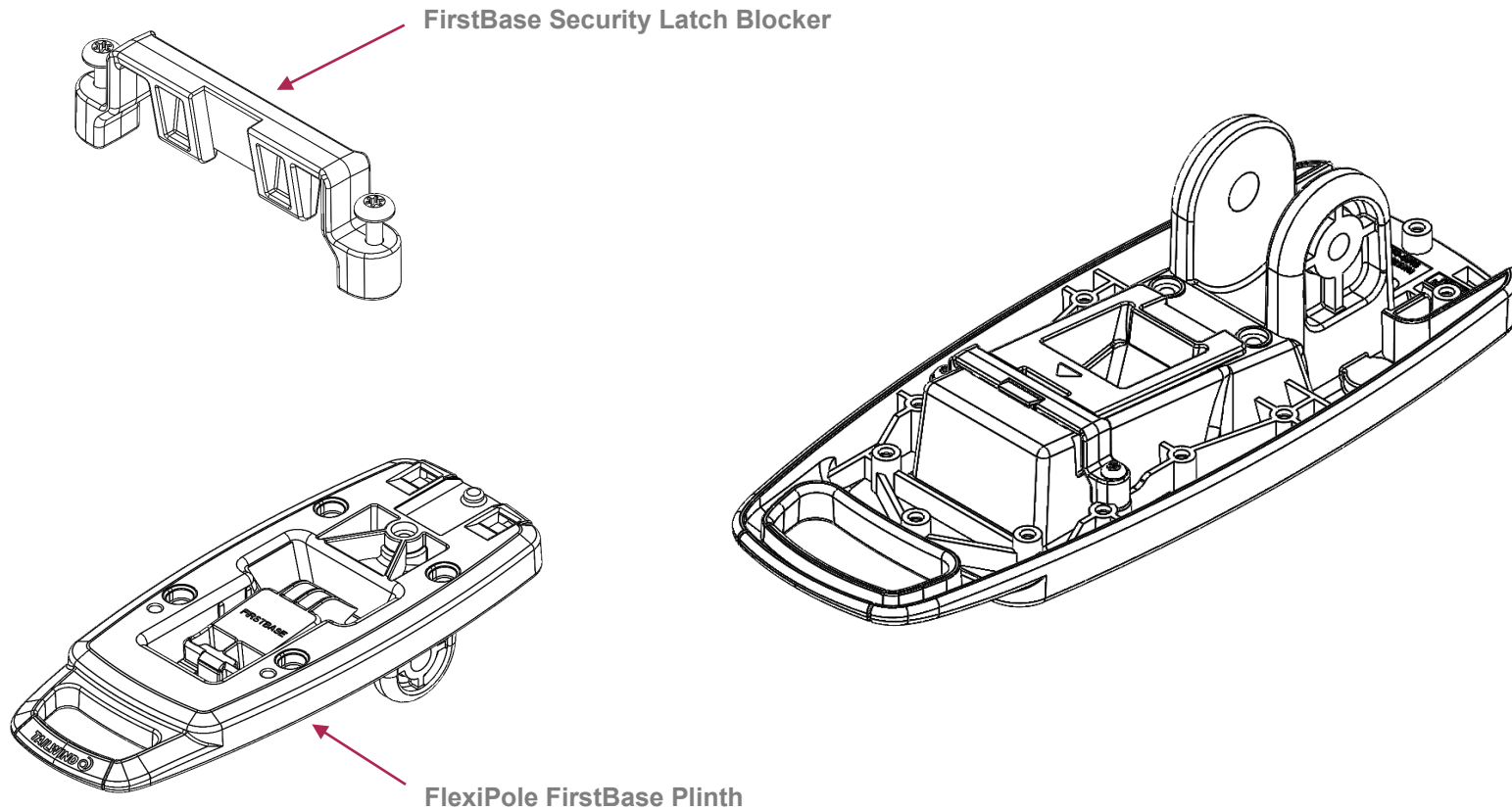


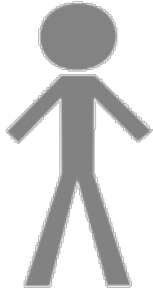
Quick Installation Guide



FlexiPole™ FirstBase Security Latch Blocker

Quick Installation Guide

TOOLS

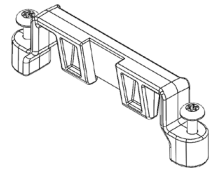


T8 Torx Tool
provided



5 min

PARTS



1 x Security
Latch Blocker

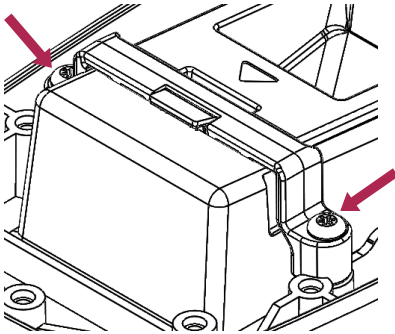
1



Step 1
Assemble PED and
Backplate to plinth
(Refer to Backplate
Installation Guide)

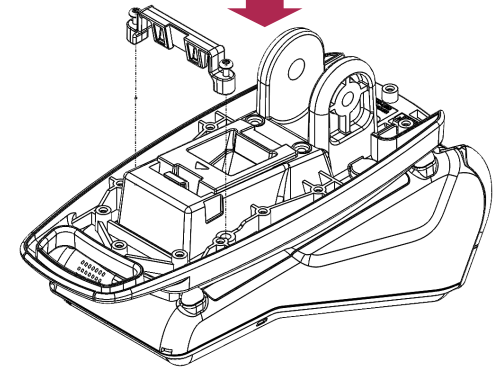
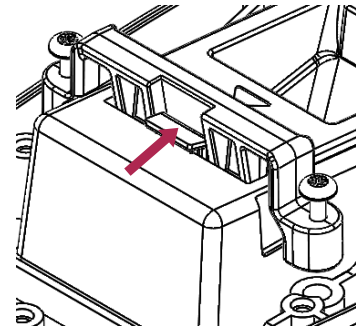
3

Step 3
Tighten Torx screws using
Torx tool provided until hand
tight.



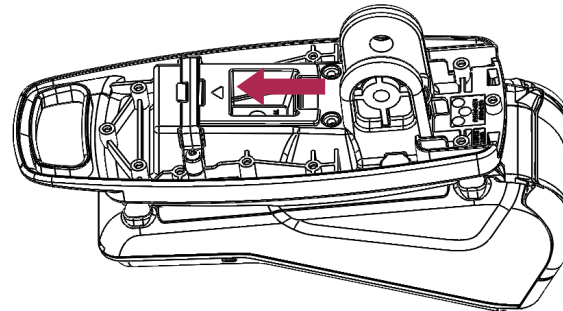
2

Step 2
Slide Security Latch Blocker
into position.
Ensure the cut out slides
behind FirstBase latch clip.



4

Step 4
Check that FirstBase
latch is locked in
place and the
Backplate can't be
unclipped.
Installation Complete



To remove reverse steps 1-4

