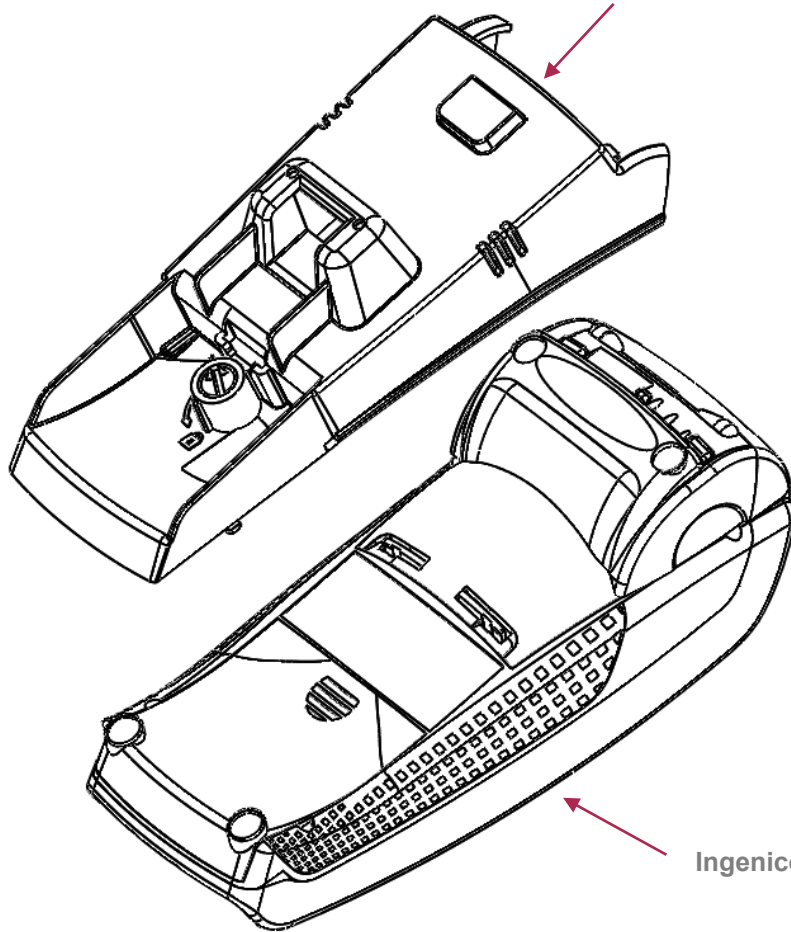
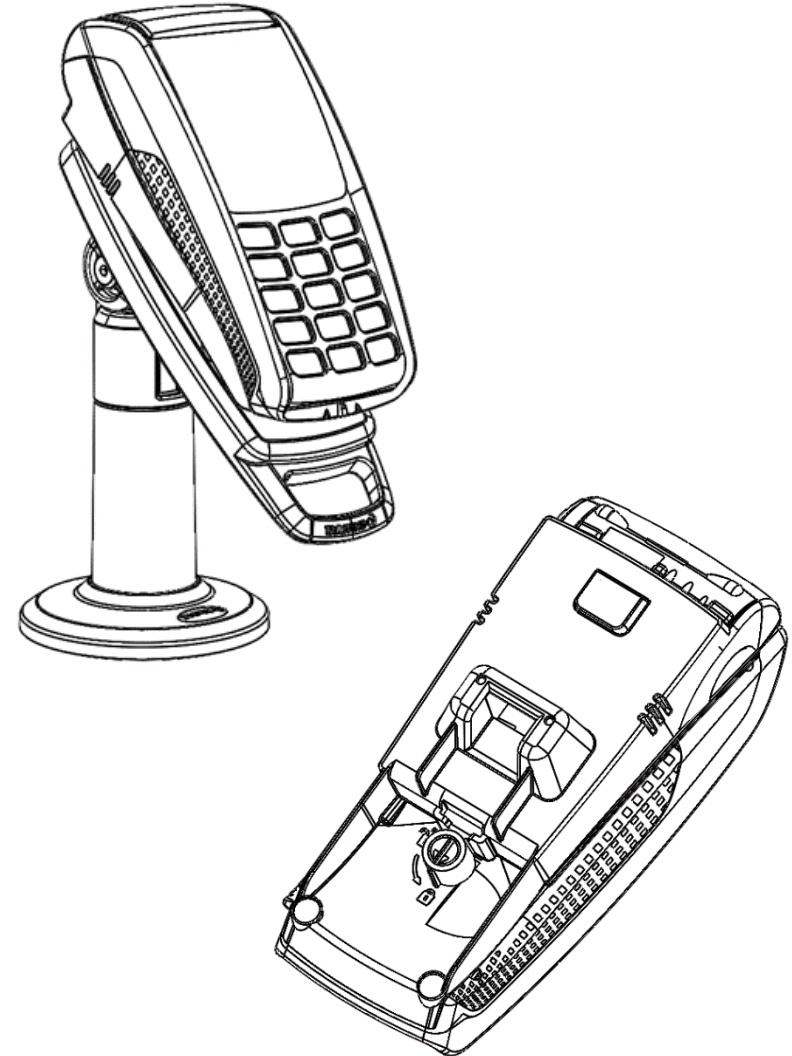


Ingenico iCT220/250 Backplate



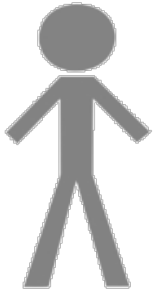
Ingenico iCT220/250 Terminal



# Ingenico iCT220/250 Backplate

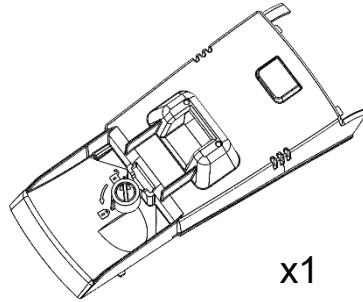
## Quick Installation Guide

### TOOLS



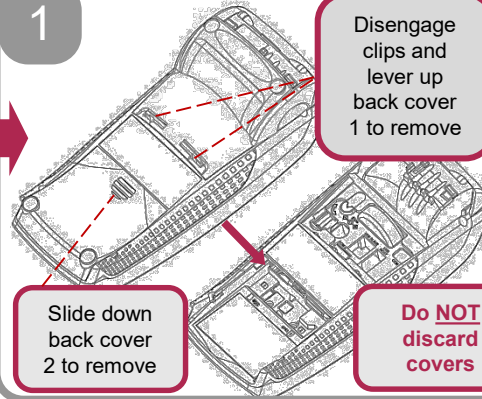
5 min

### PARTS



x1

1



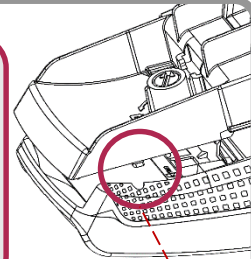
Disengage clips and lever up back cover 1 to remove

Slide down back cover 2 to remove

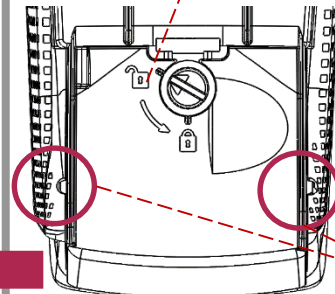
Do NOT discard covers

2

Make sure that the dial is in unlocked position before fitting Backplate to terminal



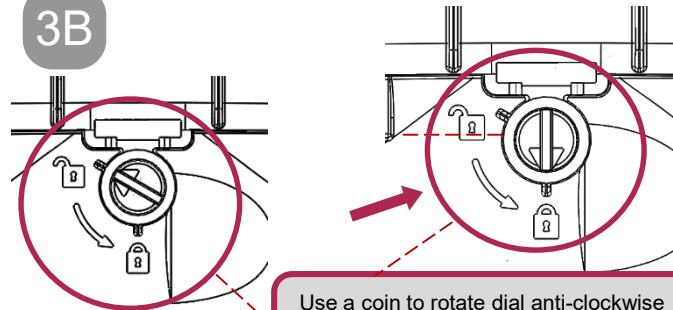
Line up two tabs on the Backplate with slots on the underside of the terminal and push down



3A

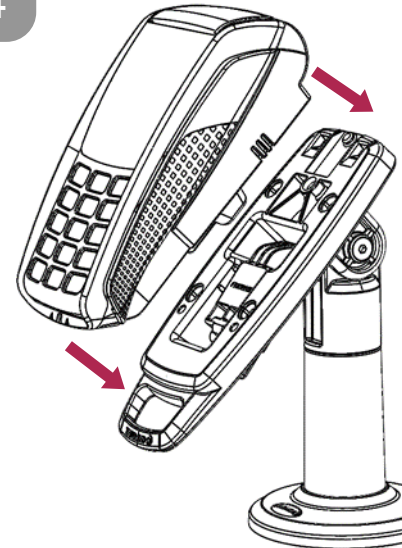
Ensure two tabs on Backplate line up to recesses on terminal and push Backplate up into recesses

3B



Use a coin to rotate dial anti-clockwise until arrow head aligns with the locked symbol and dial "clicks" into place

4

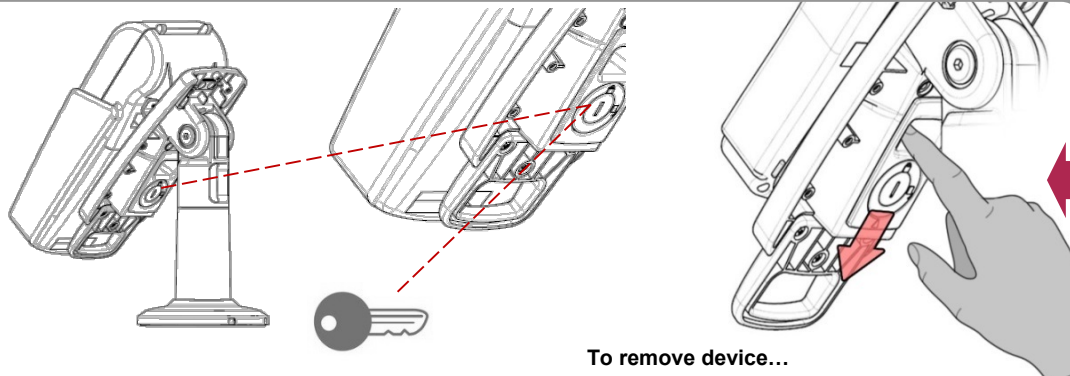


5

### OPTIONAL

If locking device, turn key then remove to secure.

To unlock, first ensure key fitted.



To remove device...