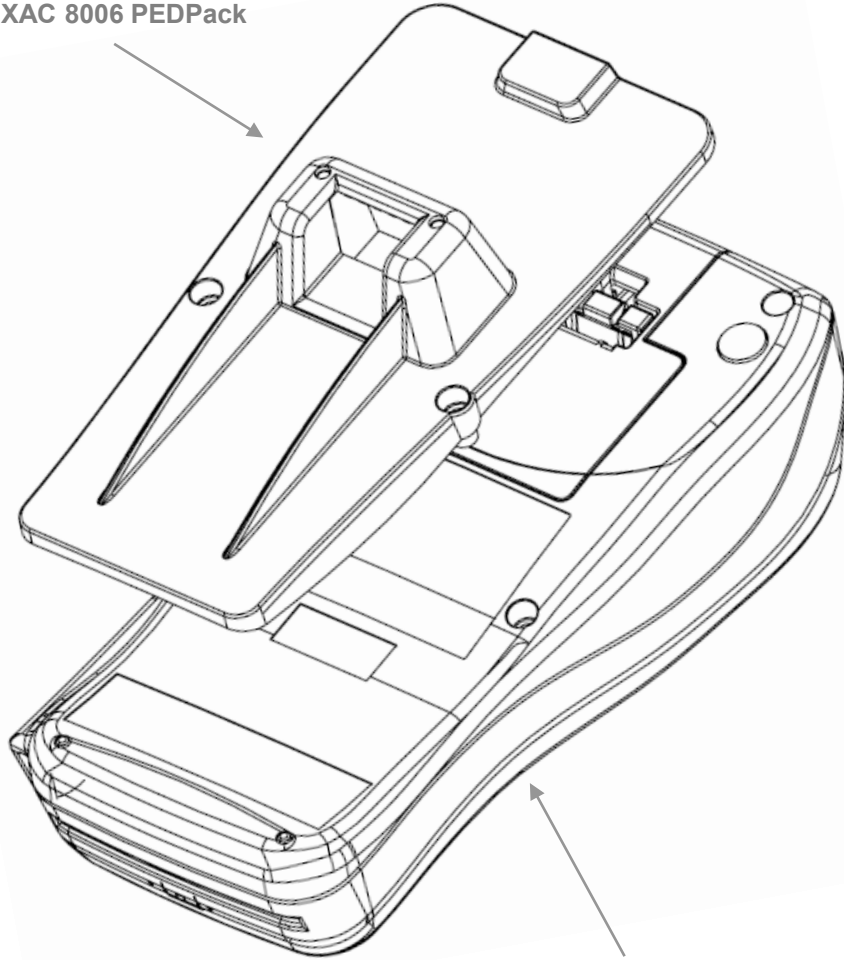


XAC 8006 PEDPack



XAC 8006



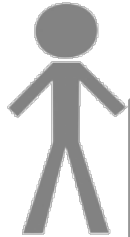
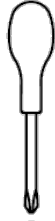
XAC 8006 PEDPack

Quick Installation Guide

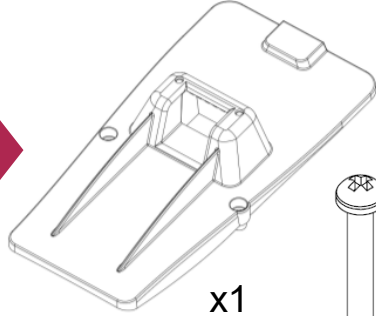
TOOLS

RECOMMENDED

Torque setting 40CNm
for all screw fixings



PARTS

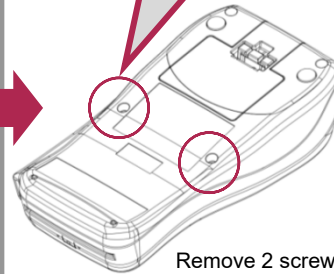


x1



x2

1



Remove 2 screws
in PED first!

2

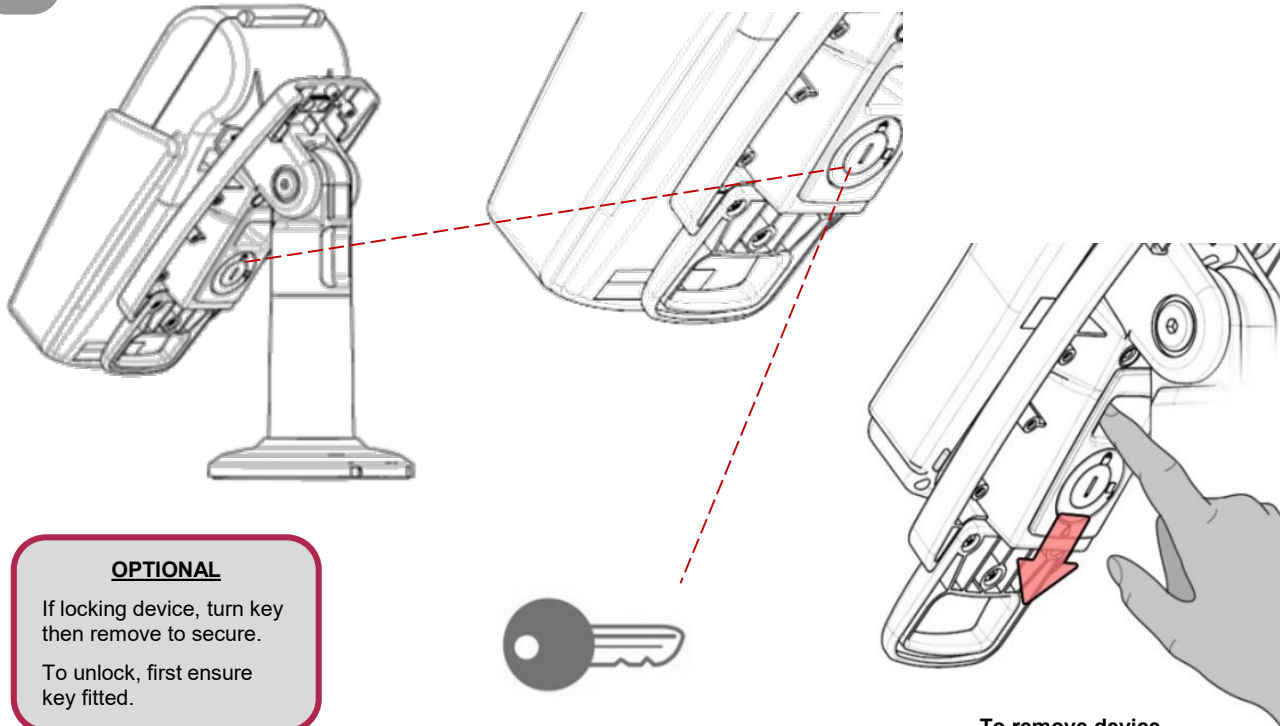


Torque setting 40CNm



x2

4



OPTIONAL

If locking device, turn key
then remove to secure.

To unlock, first ensure
key fitted.

To remove device...

3

