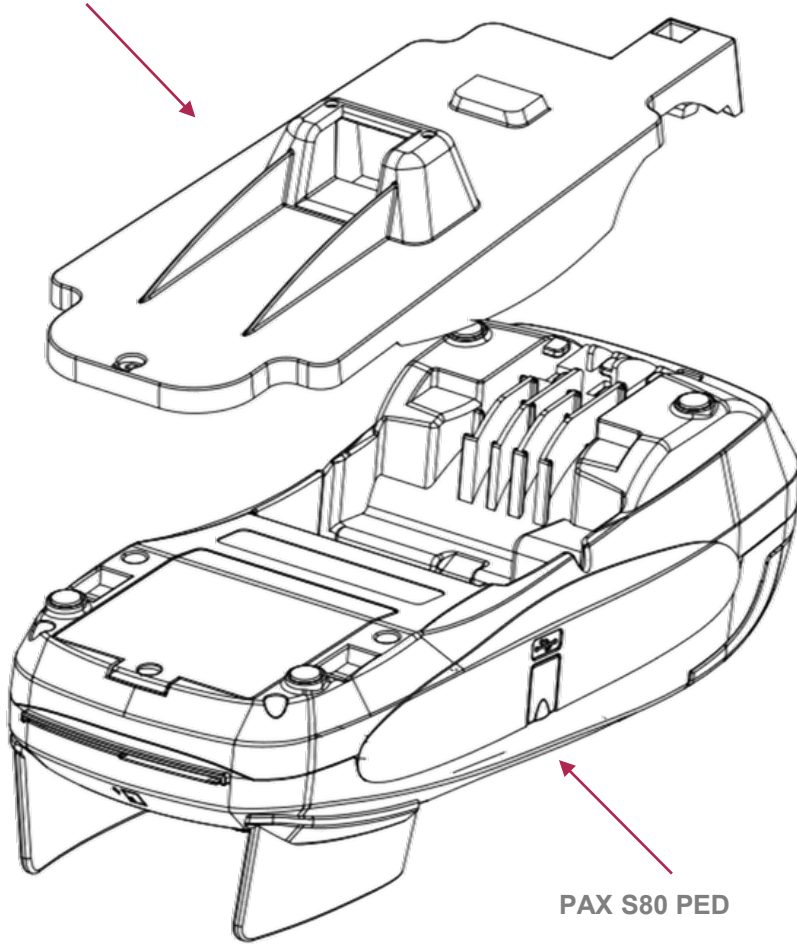
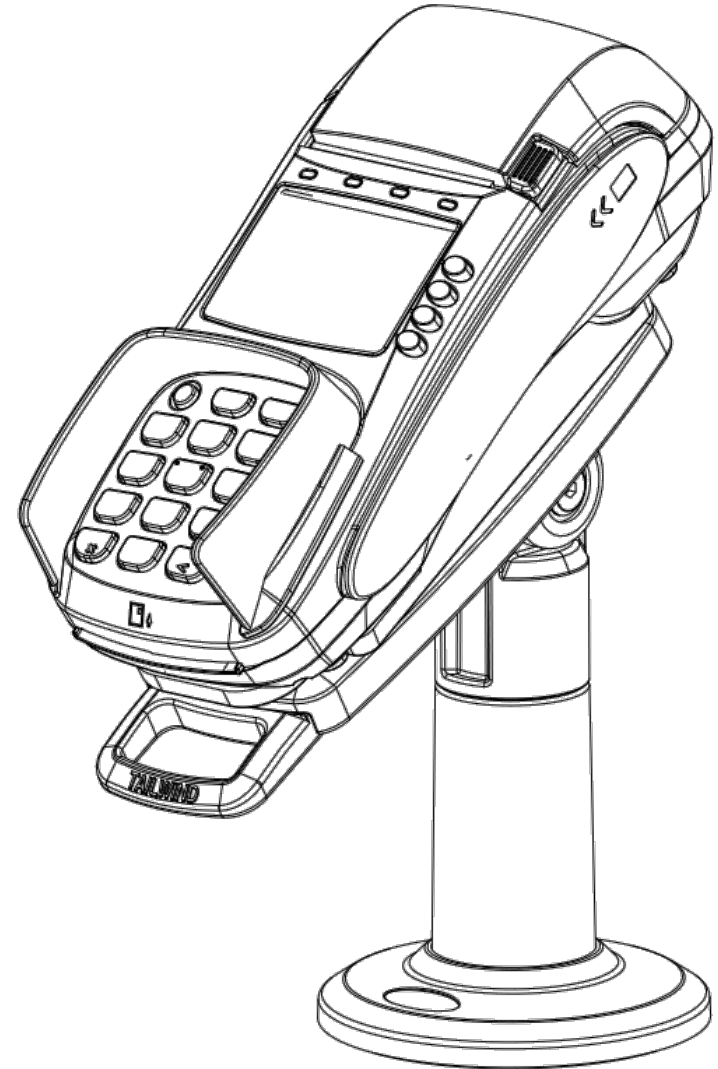


PAX S80 PEDPack



PAX S80 PED



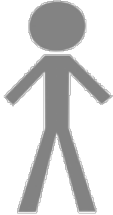
PAX S80 PEDPack

Quick Installation Guide

TOOLS

RECOMMENDED

Torque setting 40CNm
for all screw fixings

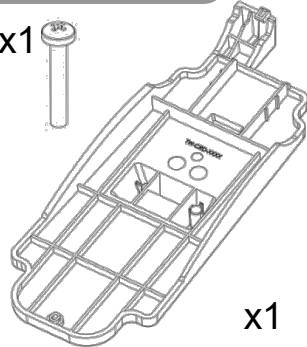


PARTS

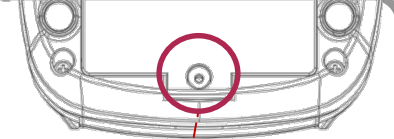
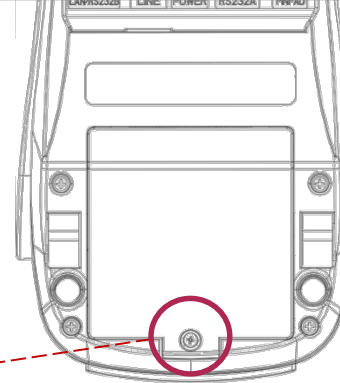
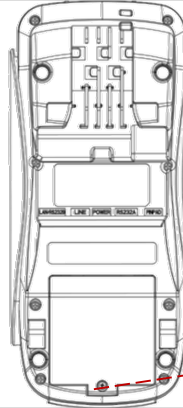
x1



x1

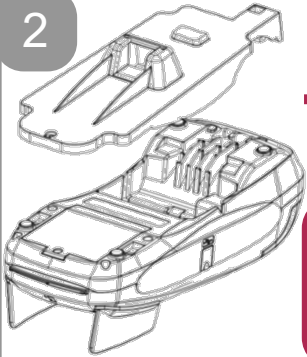


1

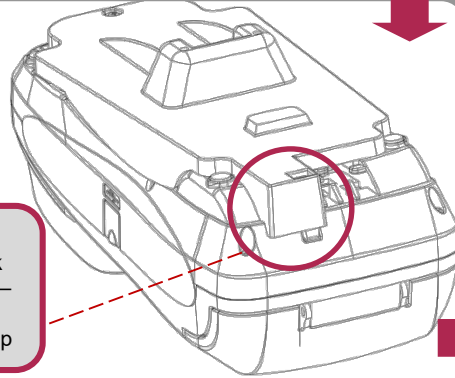


Remove existing
screw from PED
Cover

2



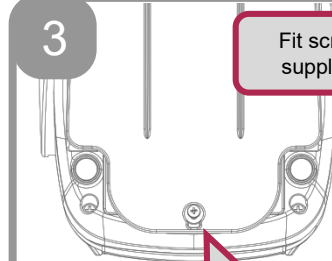
Position
PEDPack
over PED –
Hook in
place at top



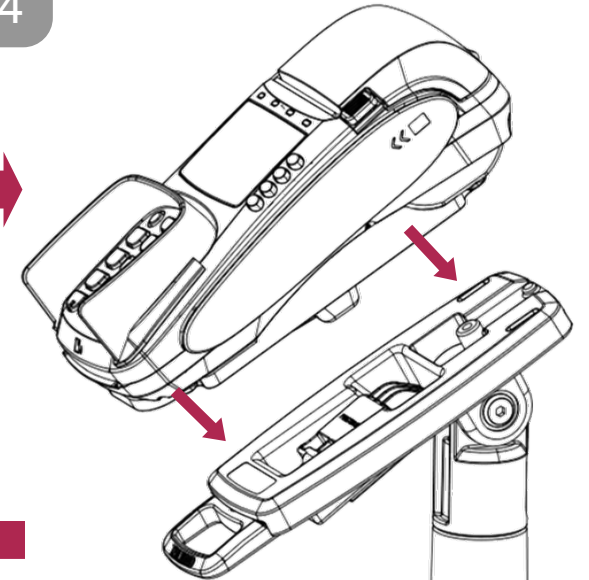
3

Fit screw
supplied

Torque setting 40CNm



4



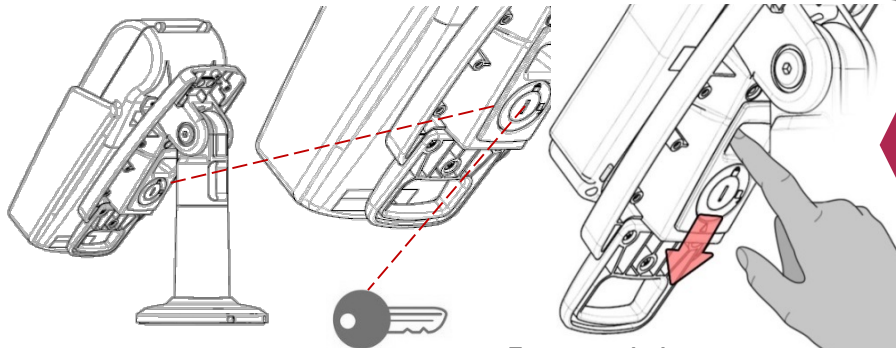
5

NOTE:

If locking device, turn key
then remove to secure.

If removing PEDPack -
take out screw, slide PED
forwards so the hook is
disengaged, then remove.

**DO NOT HINGE PED UP
BEFORE HOOK IS
DISENGAGED.**



To remove device...