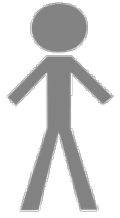


# FlexiPole Connect (PC)

Quick Installation Guide

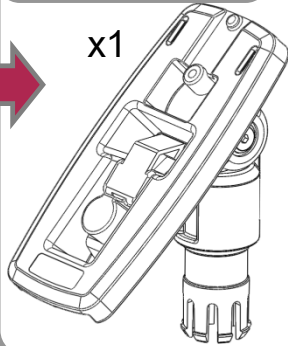
## TOOLS



5 min

## PARTS

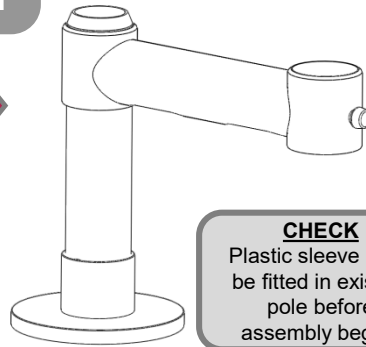
x1



x1

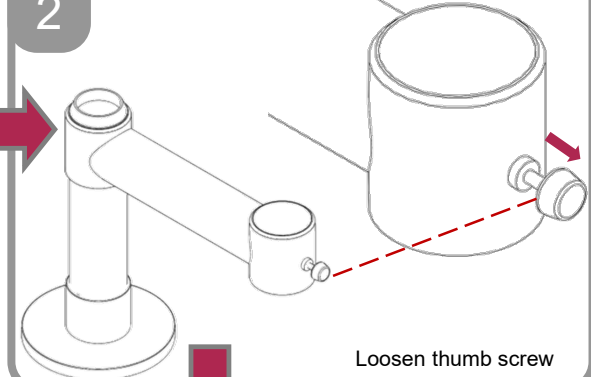


1



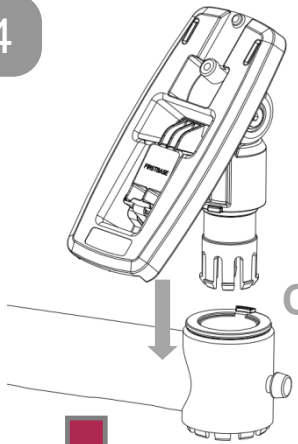
**CHECK**  
Plastic sleeve must be fitted in existing pole before assembly begins

2



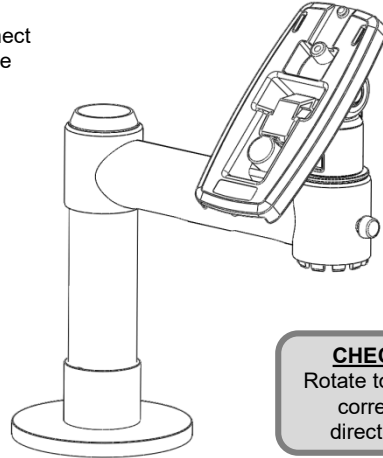
Loosen thumb screw

4



Slot Flexipole Connect downwards into pole

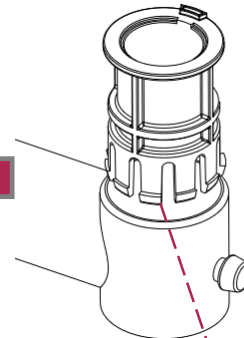
CLICK!!



**CHECK**  
Rotate to face correct direction

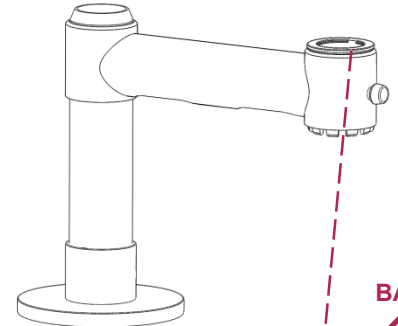
3

1. Fit Flexipole plug by pushing down



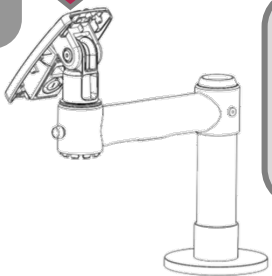
CLICK!!

2. Tighten thumb screw until no more turns



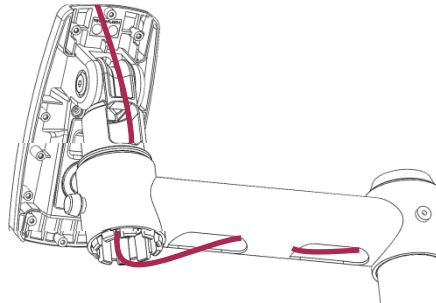
BACK

5

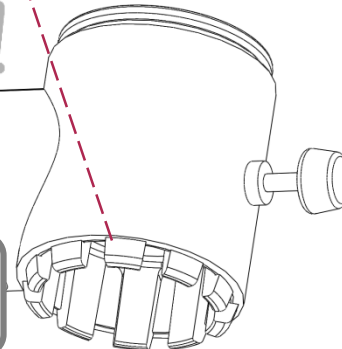


**IF REQUIRED**

**Ped Fitting Instructions**  
Ensure cables slotted through pole correctly



**CHECK**  
Plastic teeth should rest on metal edge



**CHECK**  
Feature at back

