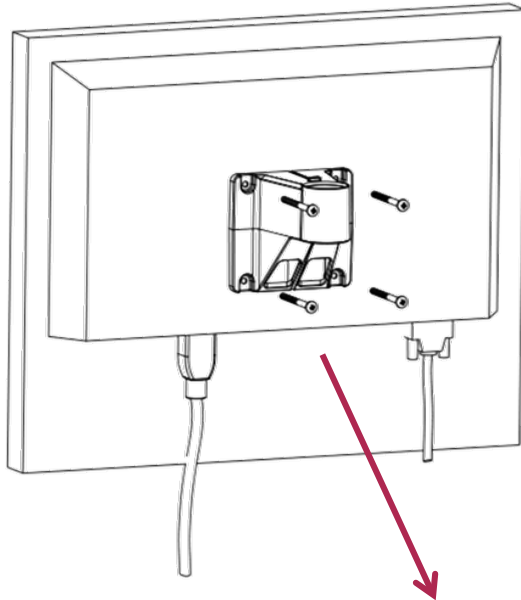
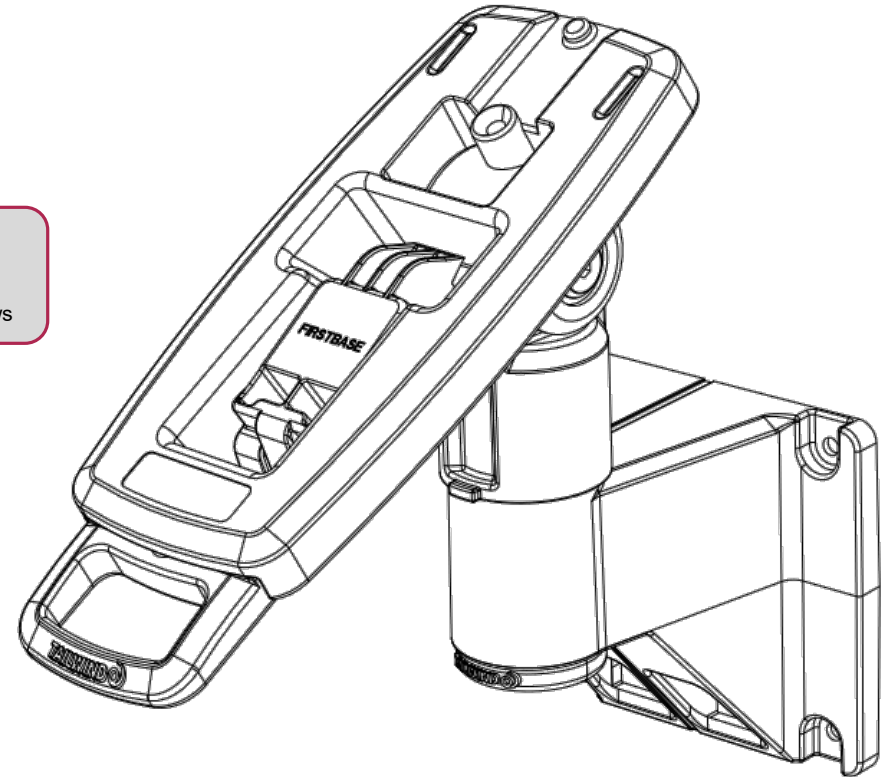
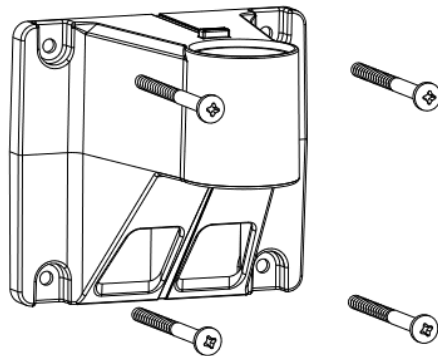


Alternative VESA Mount Fitting Instructions



Standard 75x75 VESA Mount

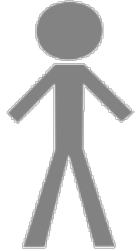
Fit using 4 x appropriate length screws



FlexiPole Contour

Quick Installation Guide

TOOLS



NOTE

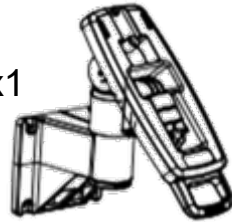
Must use qualified personnel to drill holes and fit



10 min

PARTS

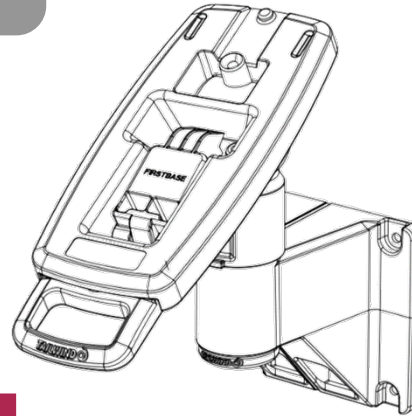
x1



NOTE

Four appropriate length No 8 Woodscrews with Roundhead must be selected to fit FlexiPole Contour

1



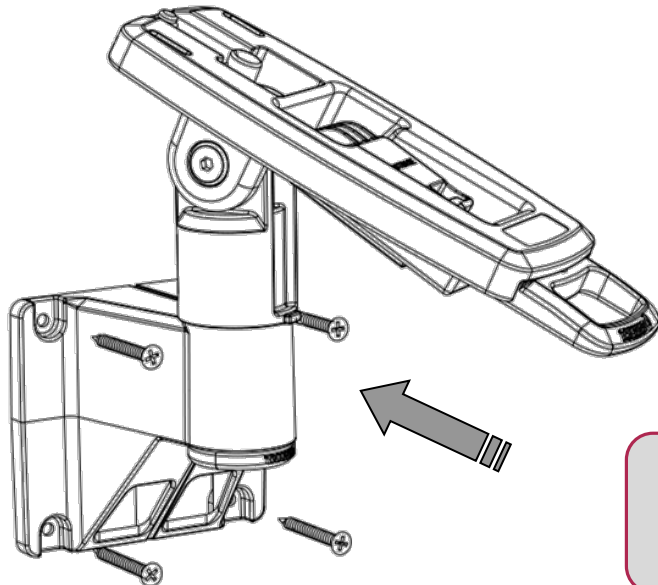
WOOD MOUNT

1. Select appropriate flat surface to mount
2. Select 4 appropriate length No 8 woodscrews to fit unit

OTHER

1. Select appropriate fitting screw and use qualified personnel to fit

2



1. Drill pilot hole in wood first.
2. Drill and fit FlexiPole Contour unit in 4 positions using 4 appropriate length screws

4

