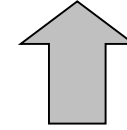
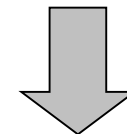
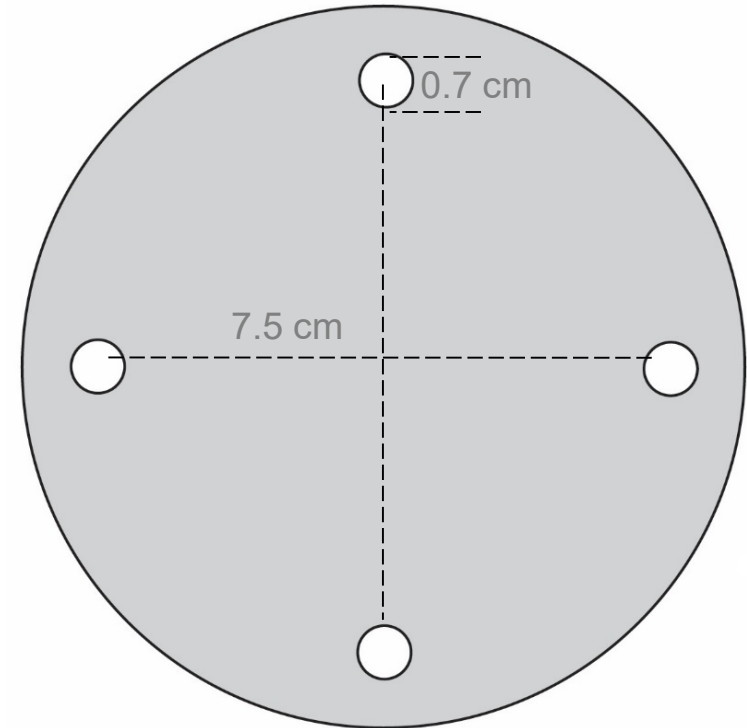
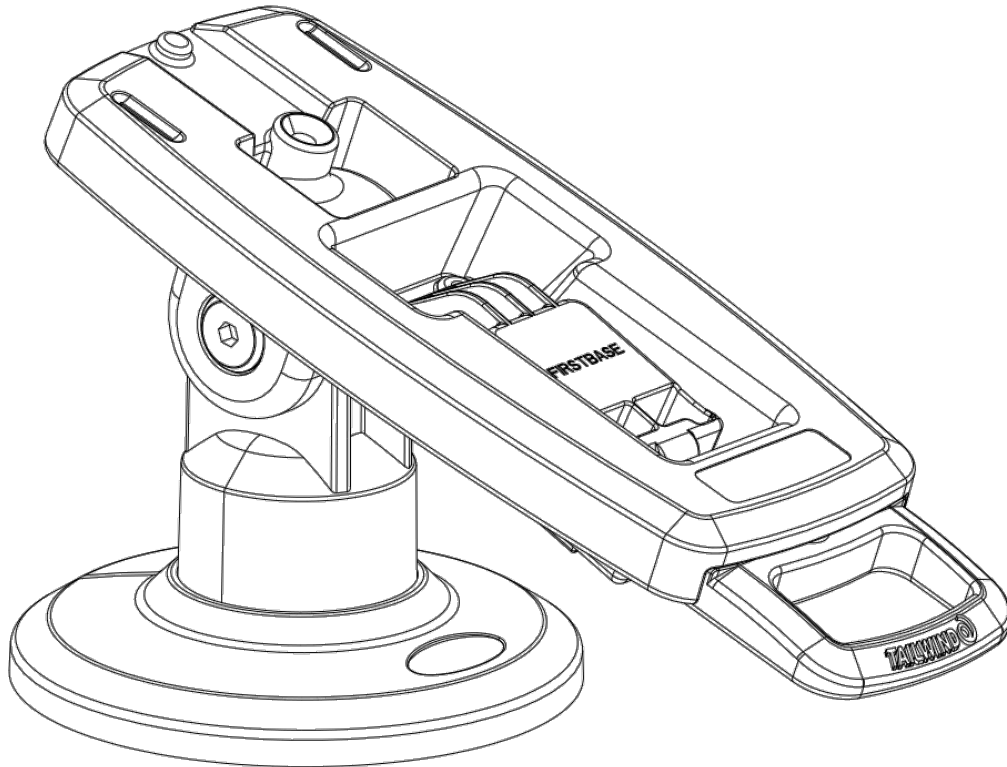


DRILL TEMPLATE



CABLES




CUSTOMER


FlexiPole Compact

Quick Installation Guide

TOOLS

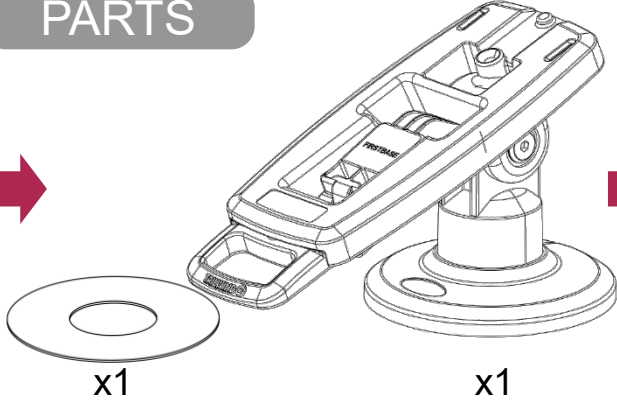


NOTE
If using drill template must use qualified personnel



5 min

PARTS

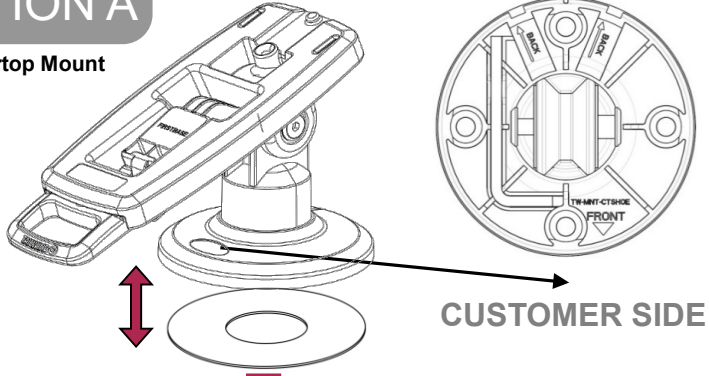


x1

x1

OPTION A

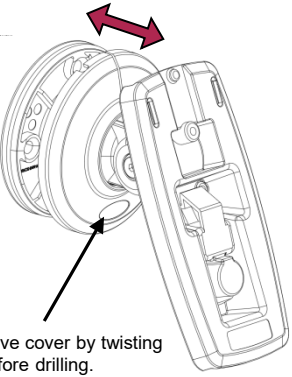
Countertop Mount



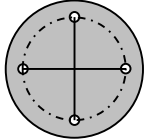
CUSTOMER SIDE

OPTION B

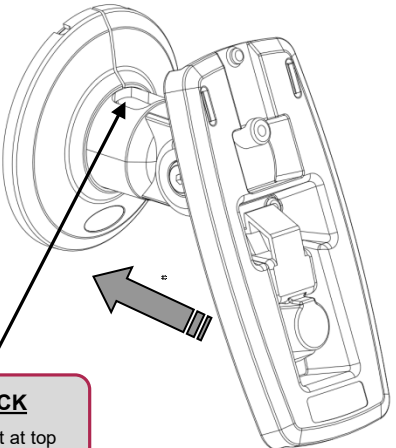
Wall Mount



Remove cover by twisting off before drilling.



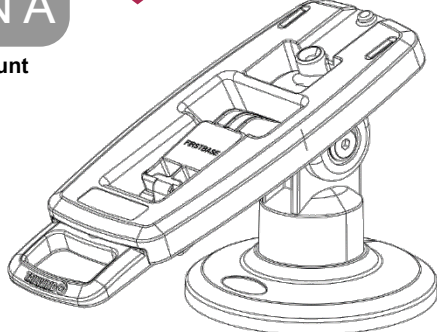
NOTE
For wall mount – use drill template supplied. Extra tools will be required. Use qualified personnel.



CHECK
Cable slot at top

OPTION A

Countertop Mount



Push down

CHECK
Cable slot not facing customer side

CUSTOMER SIDE