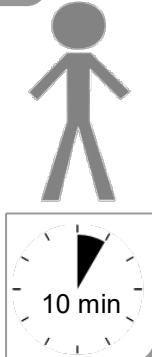
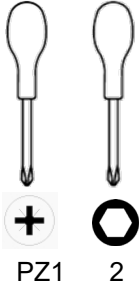


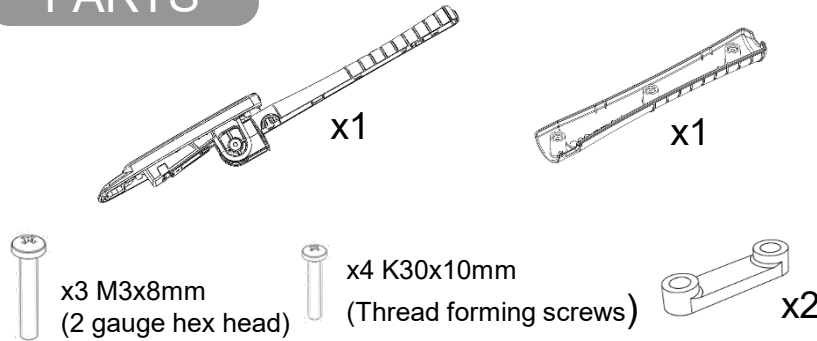
# Drive-Thru Handle

## Quick Installation Guide

### TOOLS



### PARTS



1



To fit the backplate/PEDPack to the payment terminal /PINPad, please refer to the PEDPack installation guide specific to your device:

[www.tailwind-solutions.com/installguides](http://www.tailwind-solutions.com/installguides)

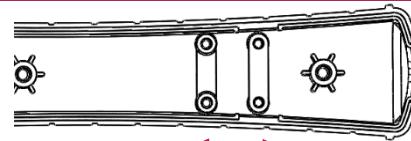
Once the PEDPack is installed, fit it to the plinth of the Drive-Thru Handle.

2

Route cable(s) as shown, around the main screw bosses, leaving a small loop of cable here \* (service loop) to avoid over-stretching the cables.



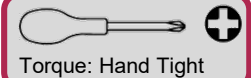
Hand tighten K30 thread-forming screws for the cable clamps. Use one or both clamps depending on cabling.



Clamp boss for small cables 1.5-4mm

Clamp boss for large cables 4-7mm

Use cable clamp either way up depending on cable thickness.

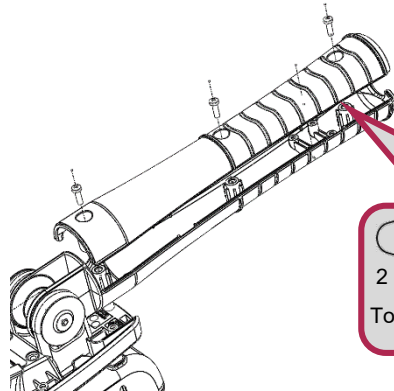


NOTE: Take care not to damage cables!  
Cable clamps should hold cables in place but NOT put excess pressure on the cables

3

Fit the back casing making sure the two halves are mated correctly and no cables are trapped between the bosses.

Screw in the 3 M3x8 hex screws hand tight until back casing is firmly connected.



2 gauge hex head  
Torque: Hand Tight until firmly connected

### IMPORTANT NOTE:

Do **NOT** pivot Drive-Thru Plinth. The Drive-Thru Handle and plinth must be kept in line in order to be docked to the wall mount.

If retorquing do **NOT** overtighten

**Torque to 1.3NM**