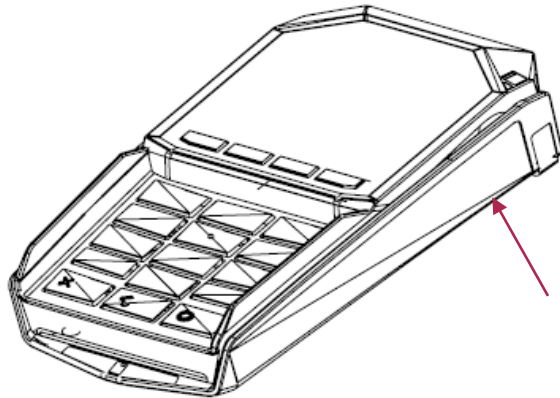
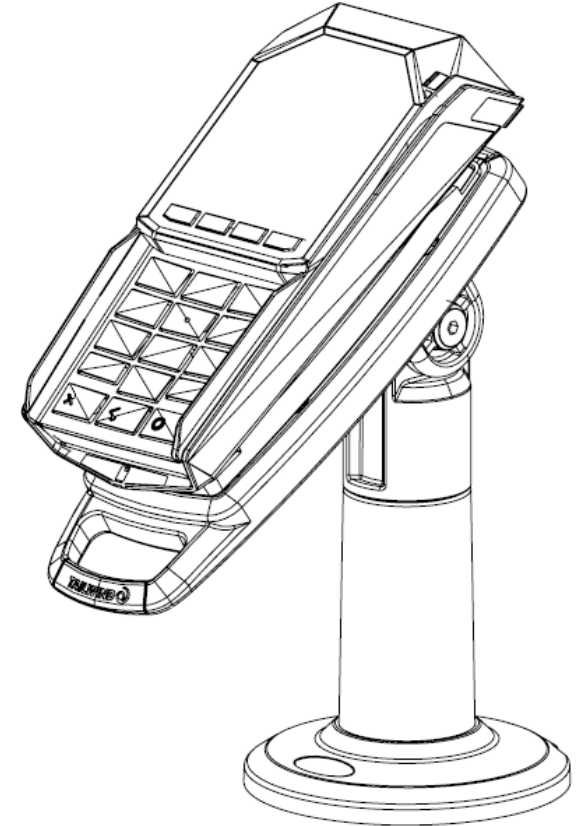
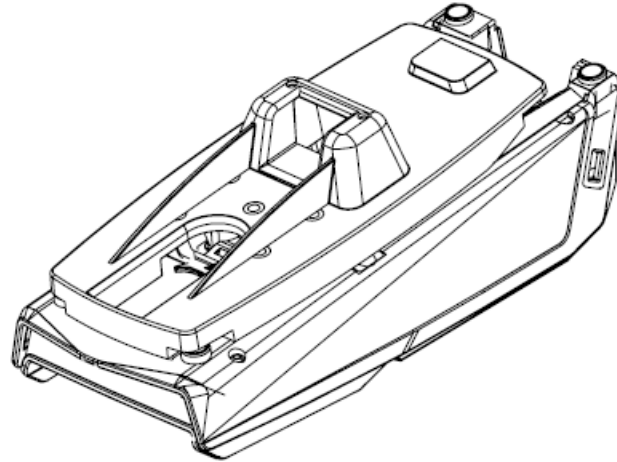


Lane 3000/5000 v.2/7000/8000
Backplate

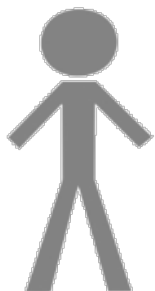


Lane 3000/5000 v.2/7000/8000
Payment Terminal

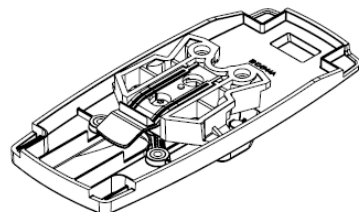
Lane 3000/5000v2/7000/8000 Backplate

Quick Installation Guide

TOOLS



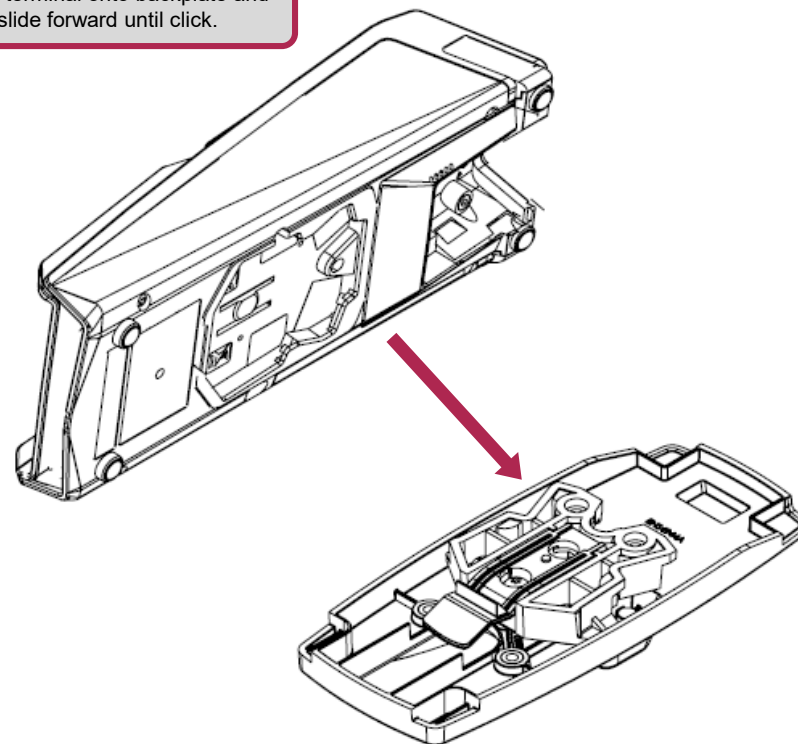
PARTS



1X Lane 3000/5000 v.2/7000/8000
Backplate

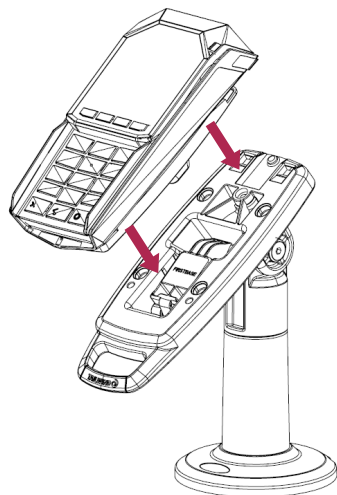
1

Place terminal onto backplate and
slide forward until click.

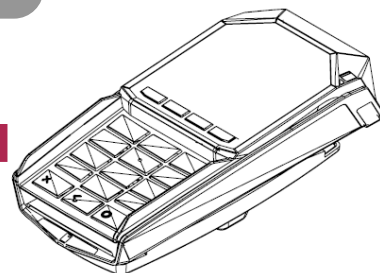


3

Fit terminal onto
stand.
Press firmly until
click.



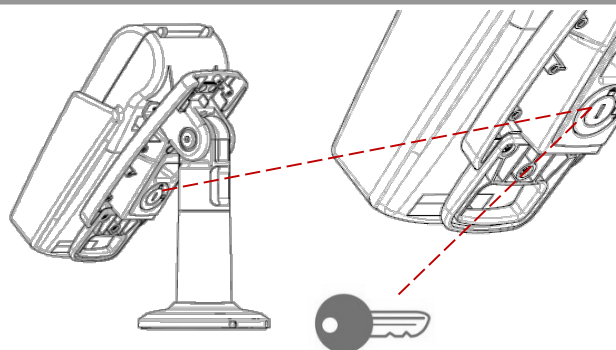
2



OPTIONAL

SAFEBASE OPTION

To lock device, turn key
clockwise then remove key.
To unlock, turn counter-
clockwise.



To remove device

