

# FlexiPole Compact UPM for Ingenico Lane Series

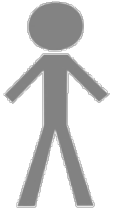
## Quick Installation Guide

### TOOLS

- 1) **Phillips screwdriver**
- 2) **Drill if mounting to surface with screws**

#### Note

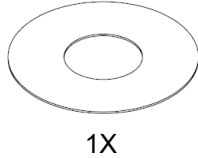
No drill required if using adhesive pad provided.



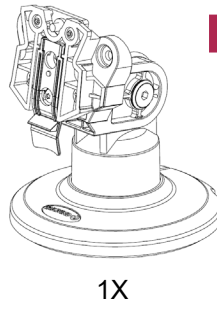
### PARTS



1X

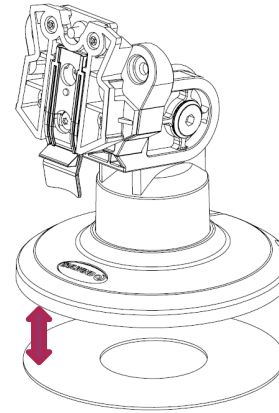


1X

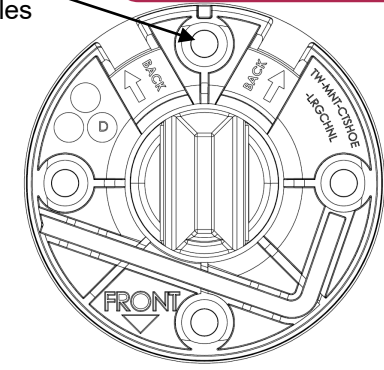


1X

### OPTION A – Countertop Mount



4 x 7mm  
Mounting Holes

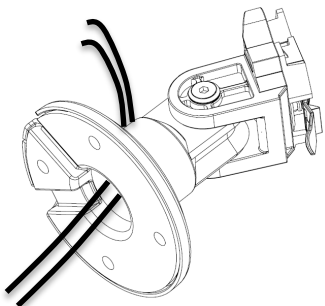


Top View

#### Note

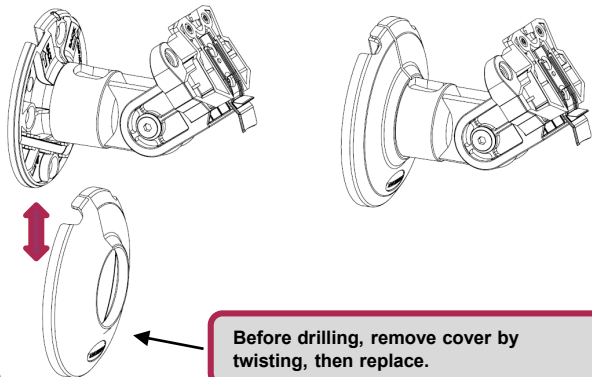
For screw or wall mount – use drill template supplied. Drill/screwdriver will be required. Use qualified personnel.

### Route Cable



If routing cables through pole

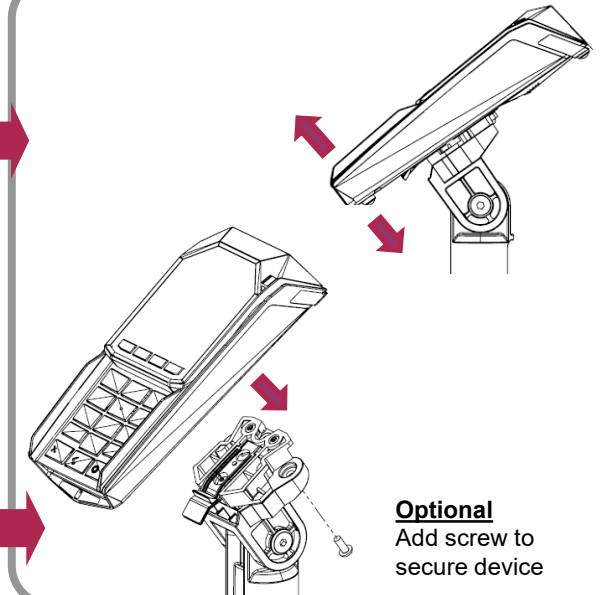
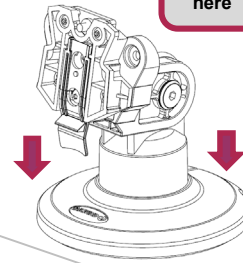
### OPTION B - Wall Mount



Before drilling, remove cover by twisting, then replace.

### A

**PUSH  
down  
here**



**Optional**  
Add screw to  
secure device