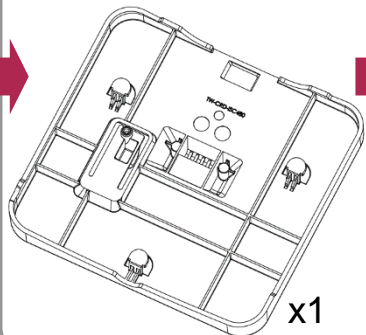


TOOLS



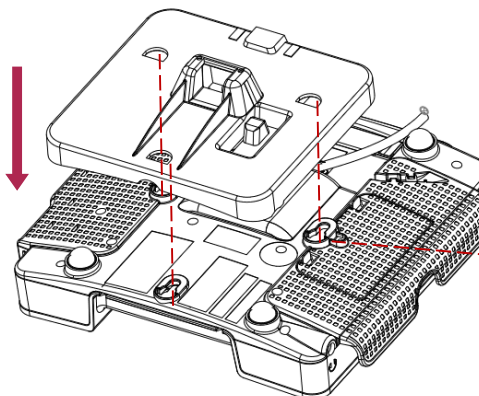
5 min

PARTS



1

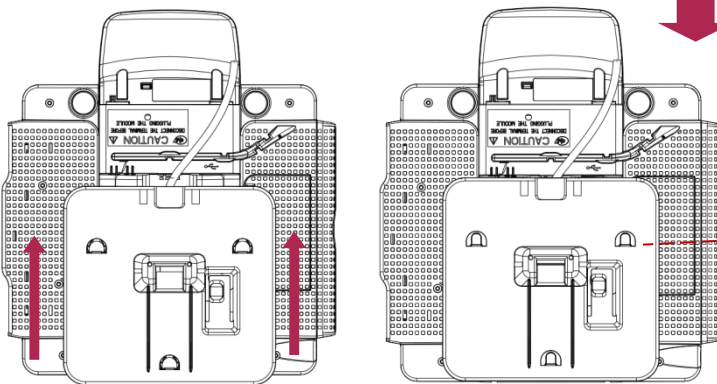
Ensure 3 tabs on PEDPack line up with 3 semi circular holes in PED



Fit pedpack downwards, slot tabs into holes in all three positions

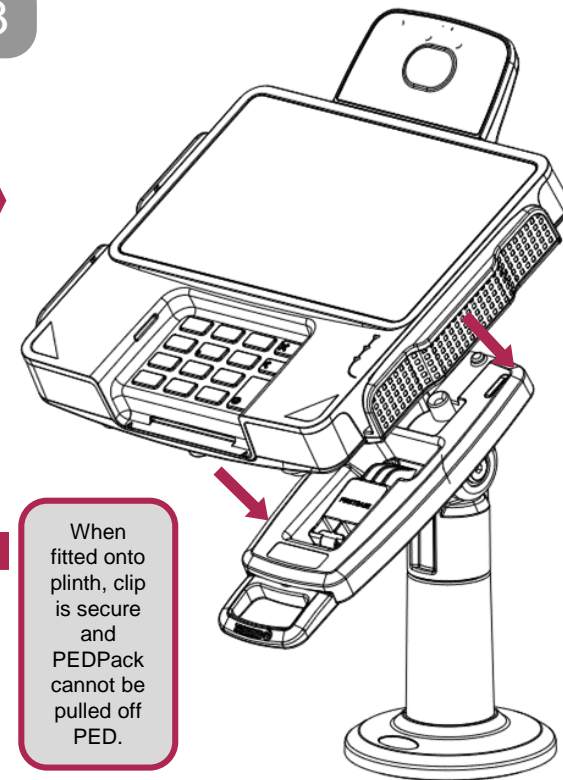
2

Once tabs are slotted, push PEDPack upwards until tabs are captured in keyholes and clip is clicked in place.



Check 3 tabs are captured and PEDpack cannot be pulled upwards

3



When fitted onto plinth, clip is secure and PEDPack cannot be pulled off PED.

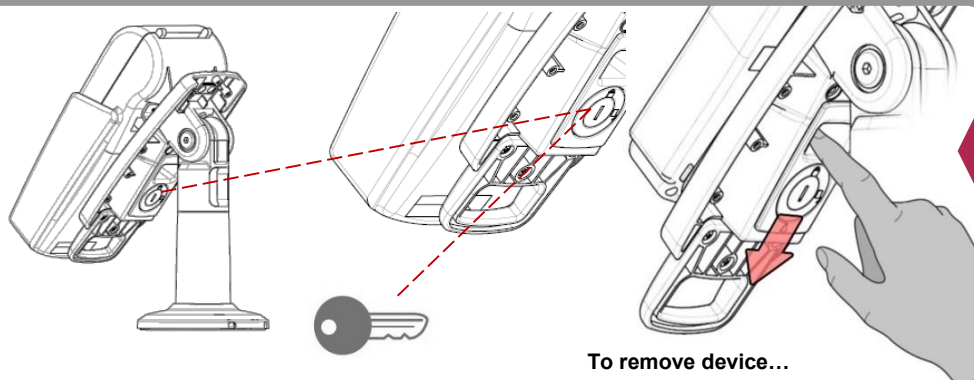
4

GENERIC PED SHOWN

OPTIONAL

If locking device, turn key then remove to secure.

To unlock, first ensure key fitted.



To remove device...