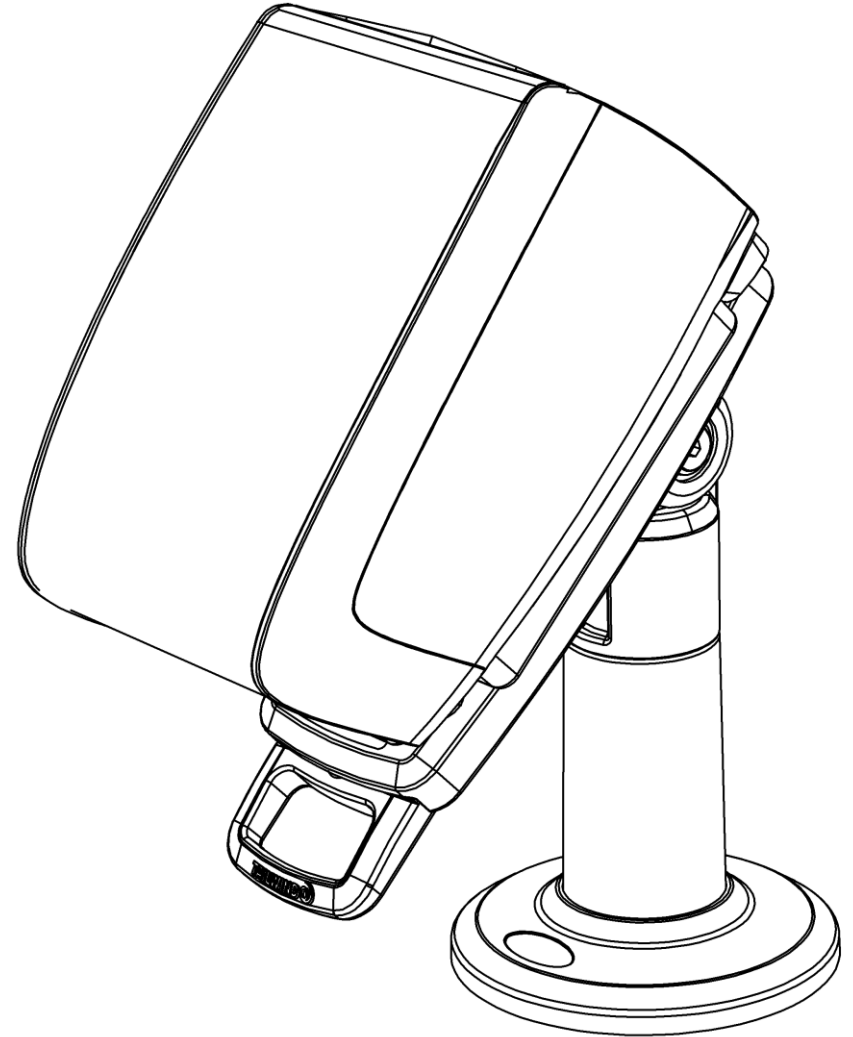
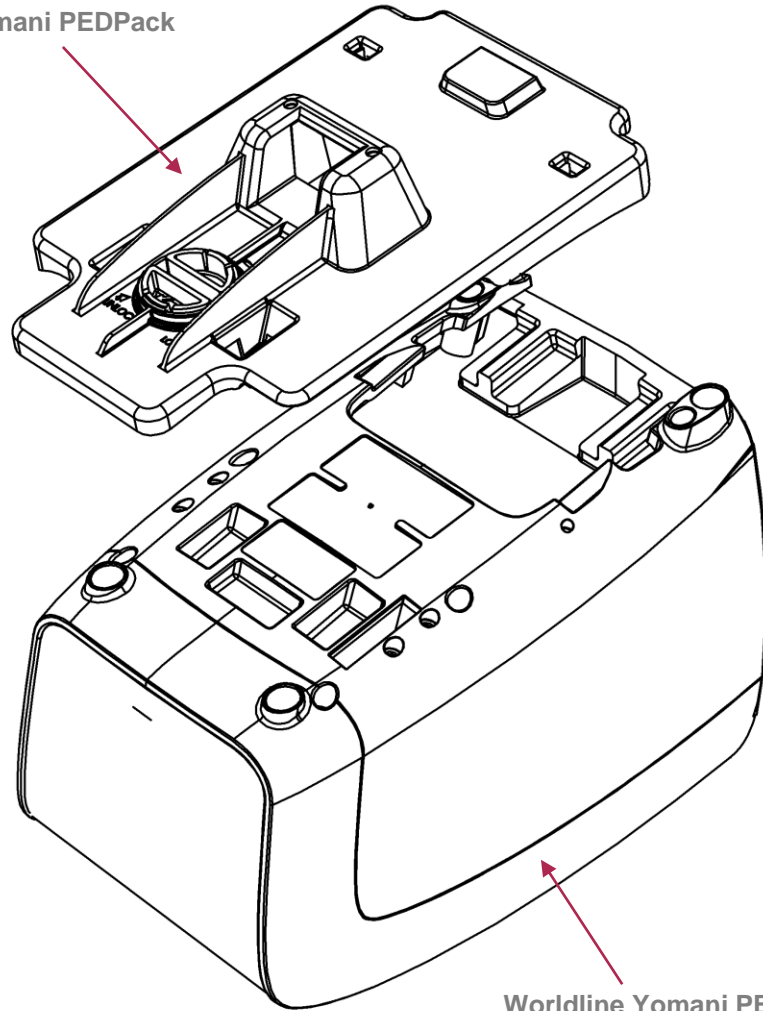


Yomani PEDPack

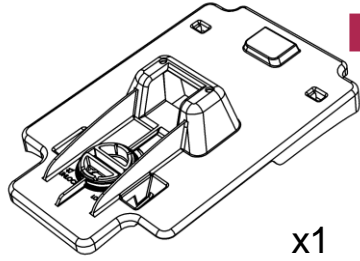


NOTE

CABLE MANAGEMENT

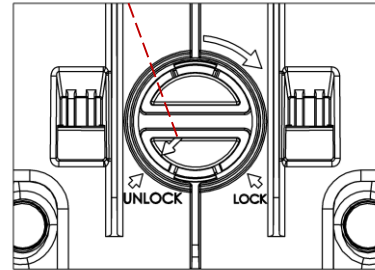
Please read instructions provided in the "Split Pole" install guide before fitting the PEDPack

PARTS

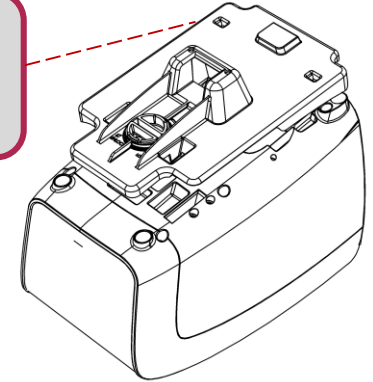


1

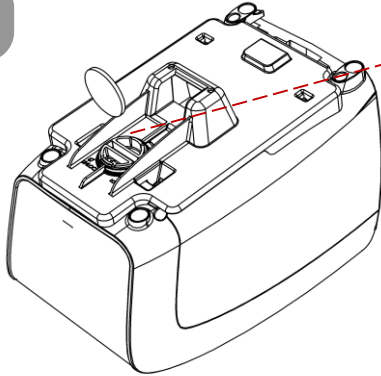
Insure lock mechanism is in the unlocked position



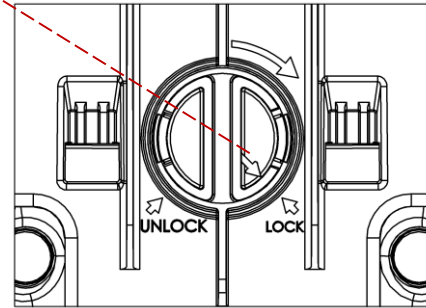
Fix PEDPack to PED from top down. Ensure all four hooks engage with PED



2

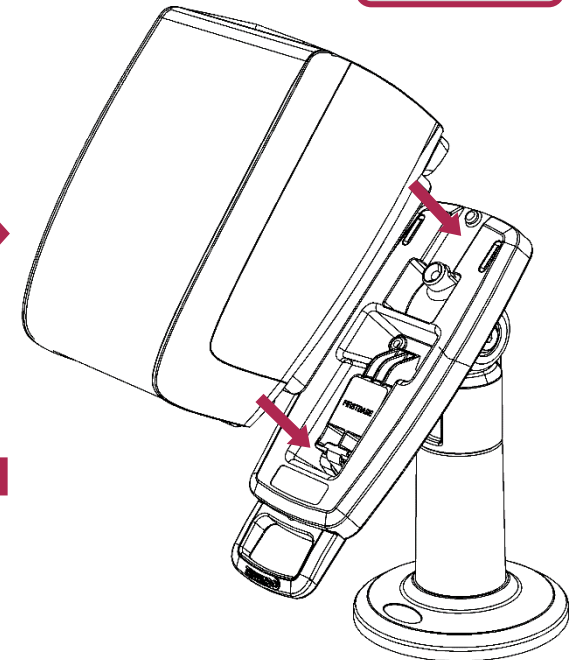


Rotate lock mechanism 270° Clockwise until in the locked position



3

Fit PED onto plinth



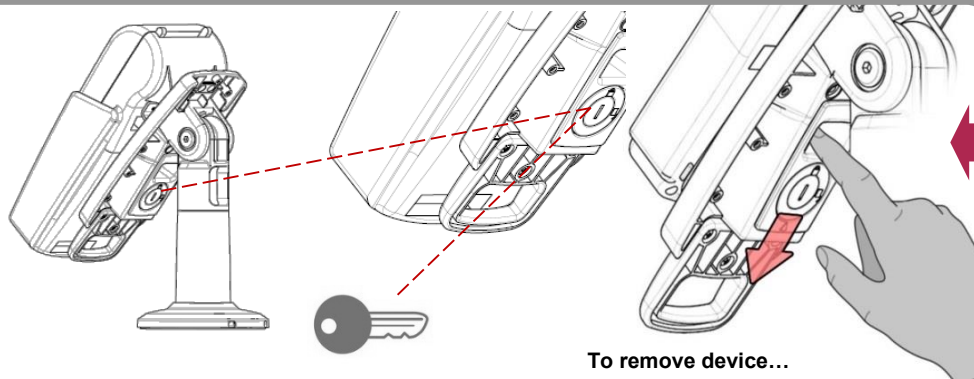
4

GENERIC PED SHOWN

OPTIONAL

If locking device, turn key then remove to secure.

To unlock, first ensure key fitted.



To remove device...