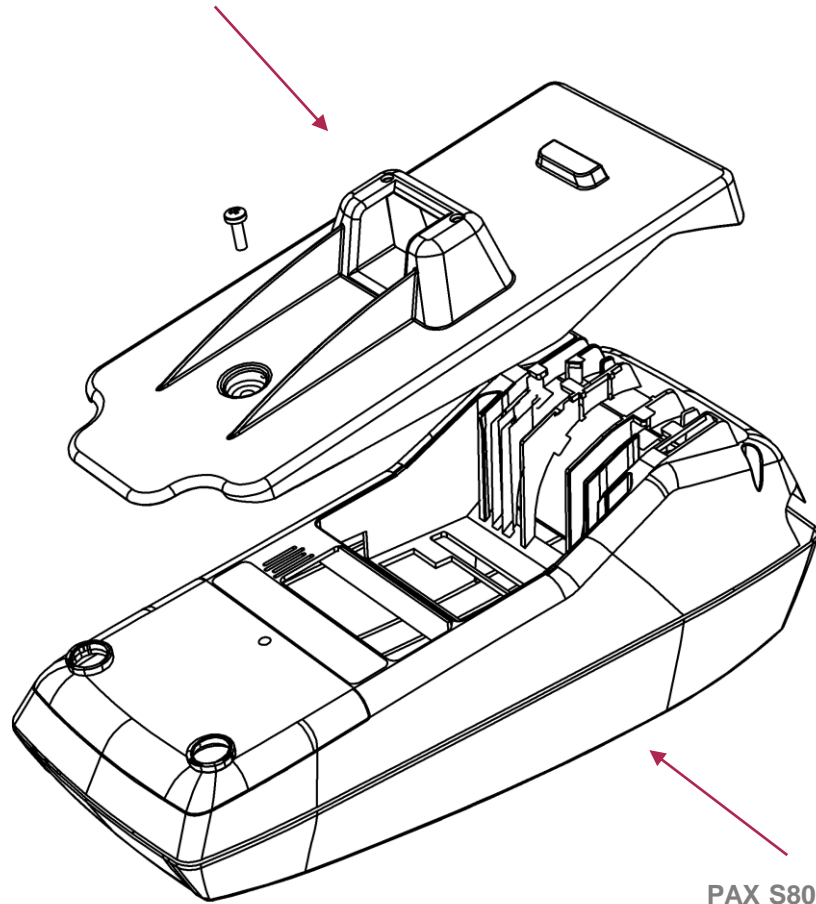
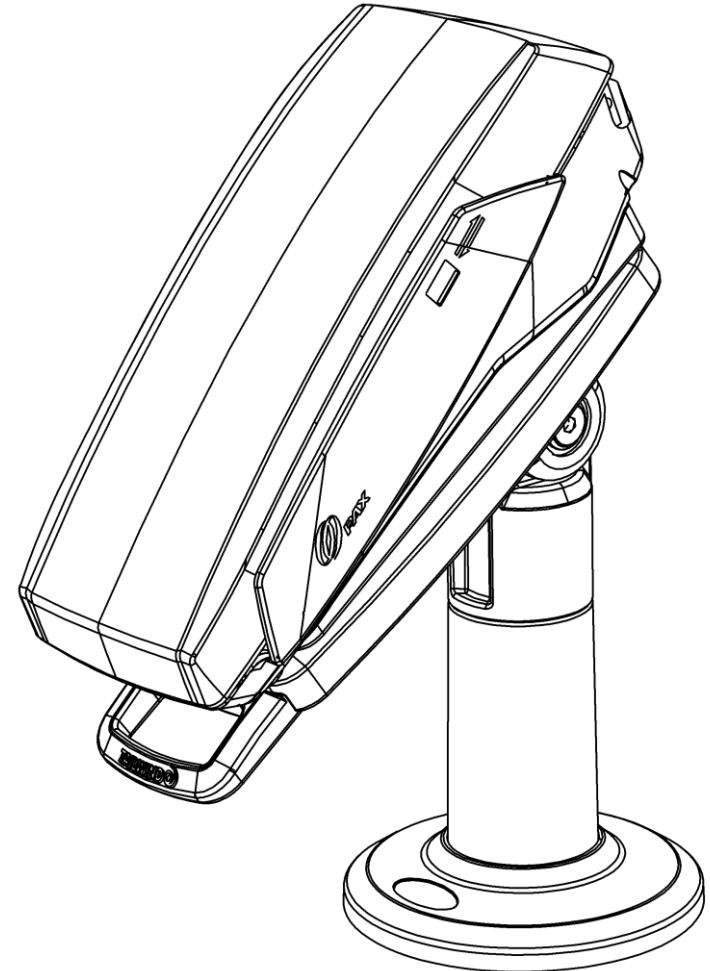


PAX S800 PEDPack



PAX S800 PED



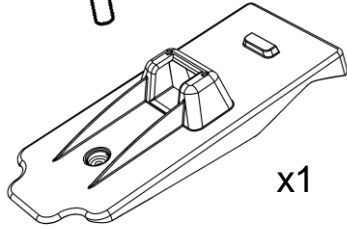
TOOLS



5 min

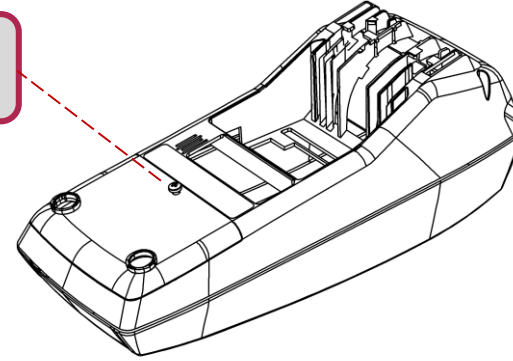
PARTS

Pan Head M2.5 x 8mm



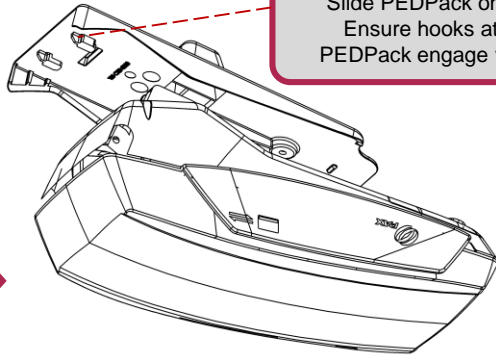
1

Remove and discard screw from PED



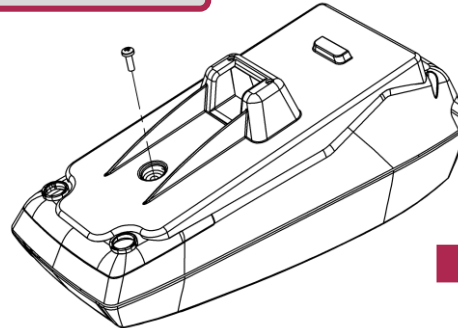
2

Slide PEDPack onto PED. Ensure hooks at top of PEDPack engage with PED

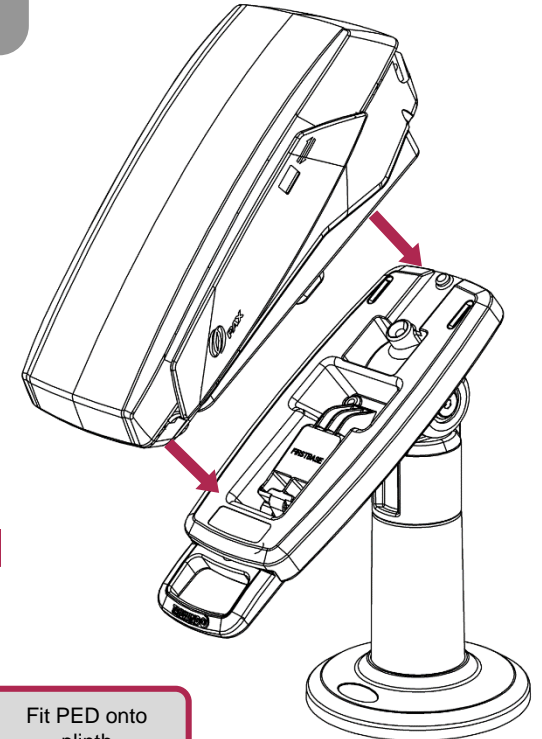


3

Fit supplied screw



4



Fit PED onto plinth

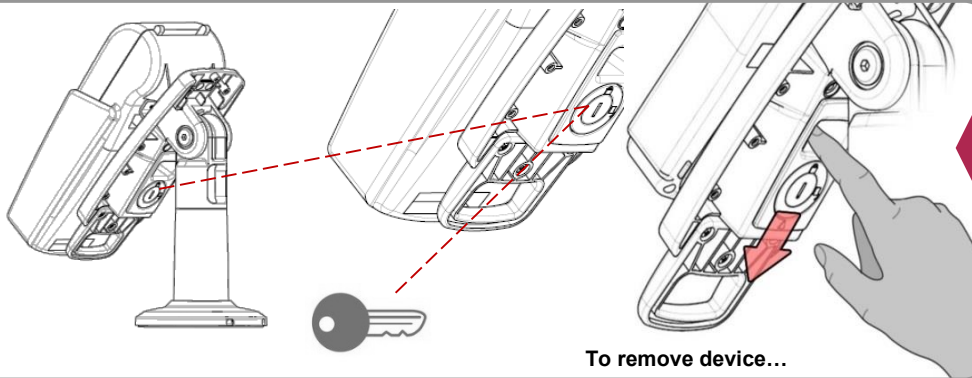
5

GENERIC PED SHOWN

OPTIONAL

If locking device, turn key then remove to secure.

To unlock, first ensure key fitted.



To remove device...