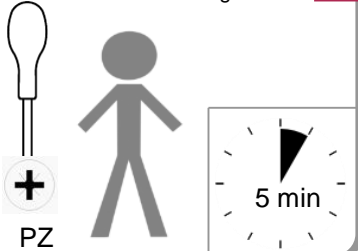


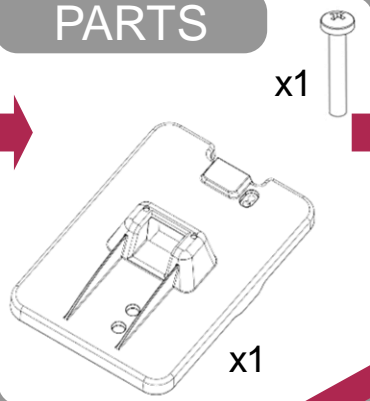
## TOOLS

### RECOMMENDED

Torque setting 40CNm  
for all screw fixings

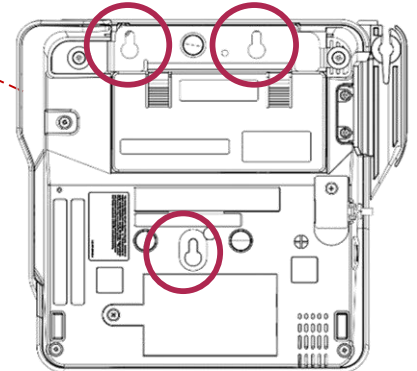
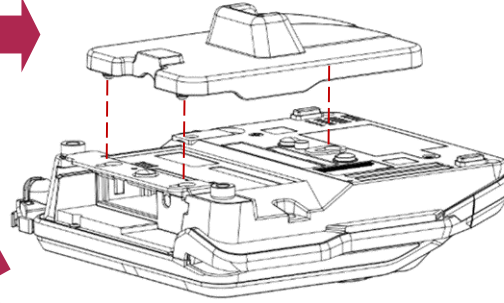


## PARTS

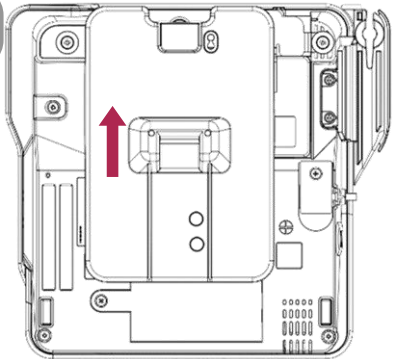


1

Locate PEDPack in line with three holes highlighted – push down into unit



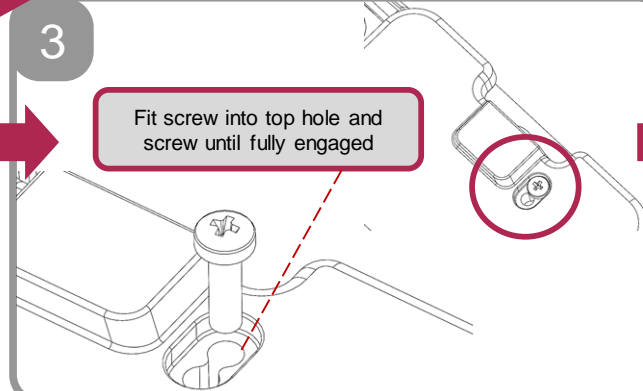
2



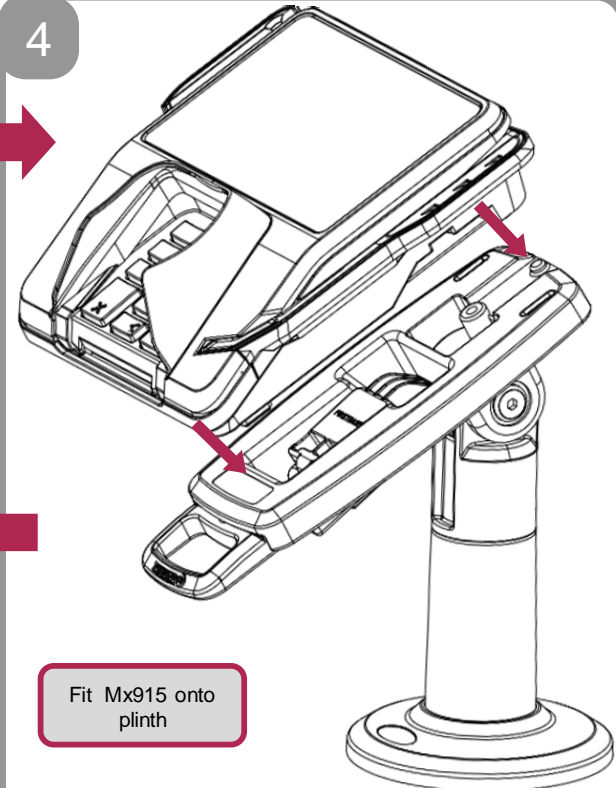
Push forwards until feel click – check PEDPack **CANNOT** be lifted back off vertically.

3

Fit screw into top hole and screw until fully engaged



4



Fit Mx915 onto plinth

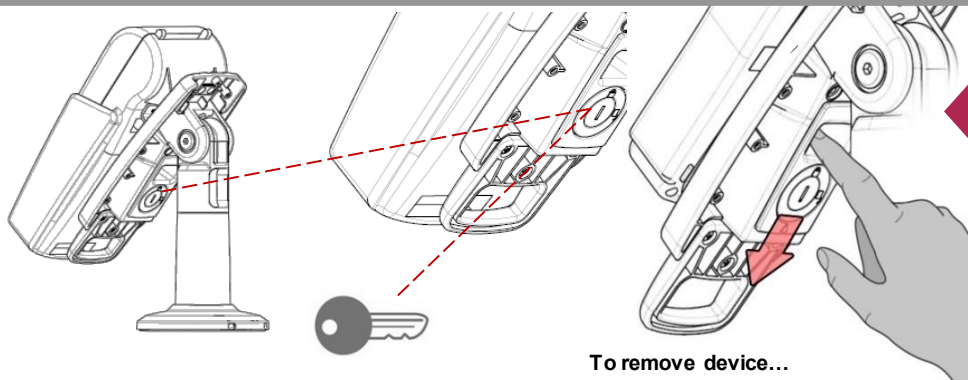
5

GENERIC Device SHOWN

### OPTIONAL

If locking device, turn key then remove to secure.

To unlock, first ensure key fitted.



To remove device...