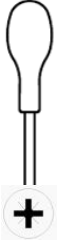


## TOOLS



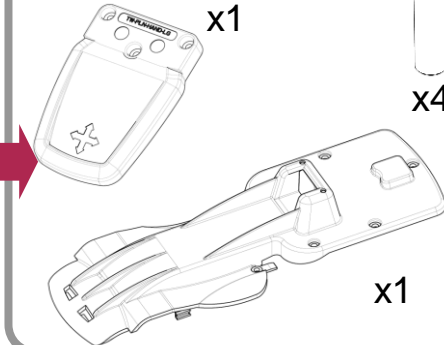
PZ

Recommended torque setting 40CNm for all screw fixings

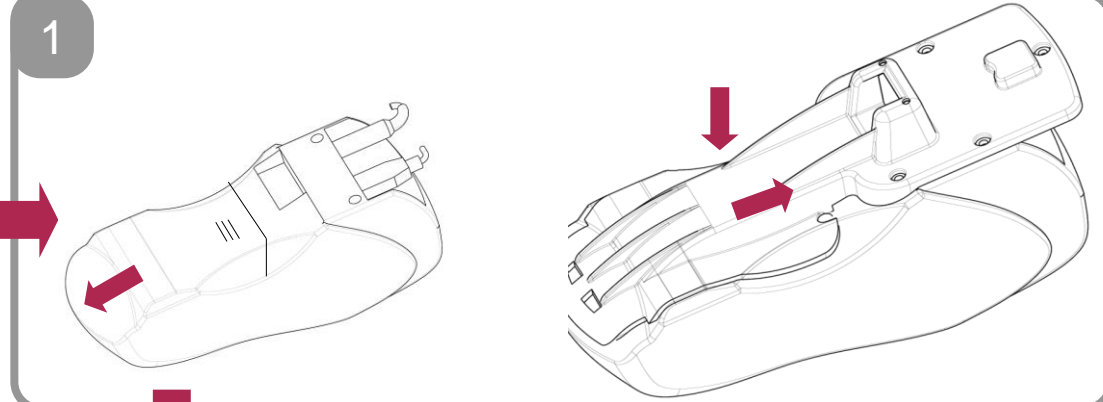


5 min

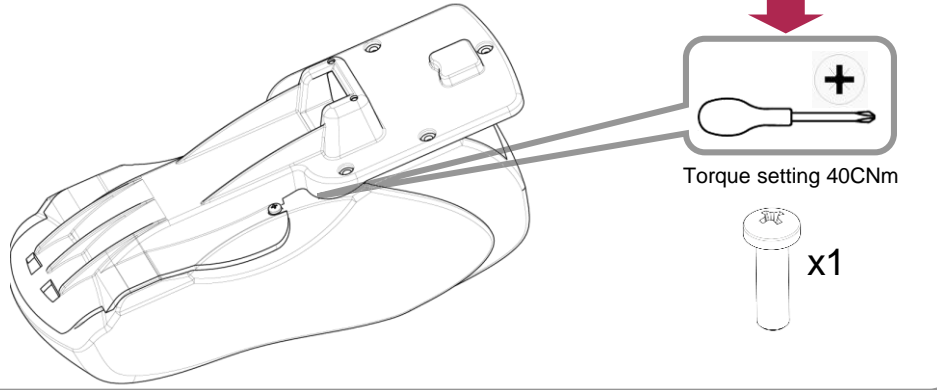
## PARTS



1



2



3



4

