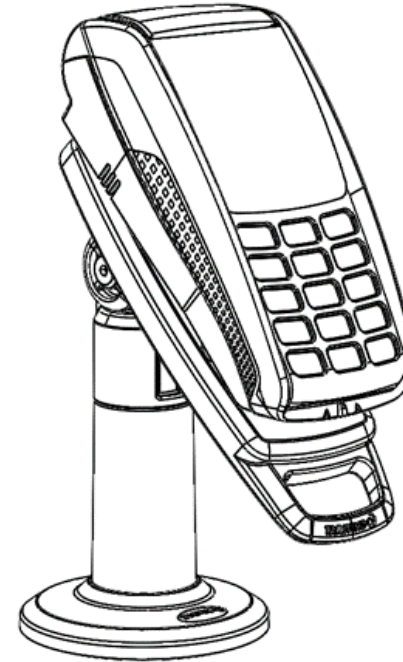
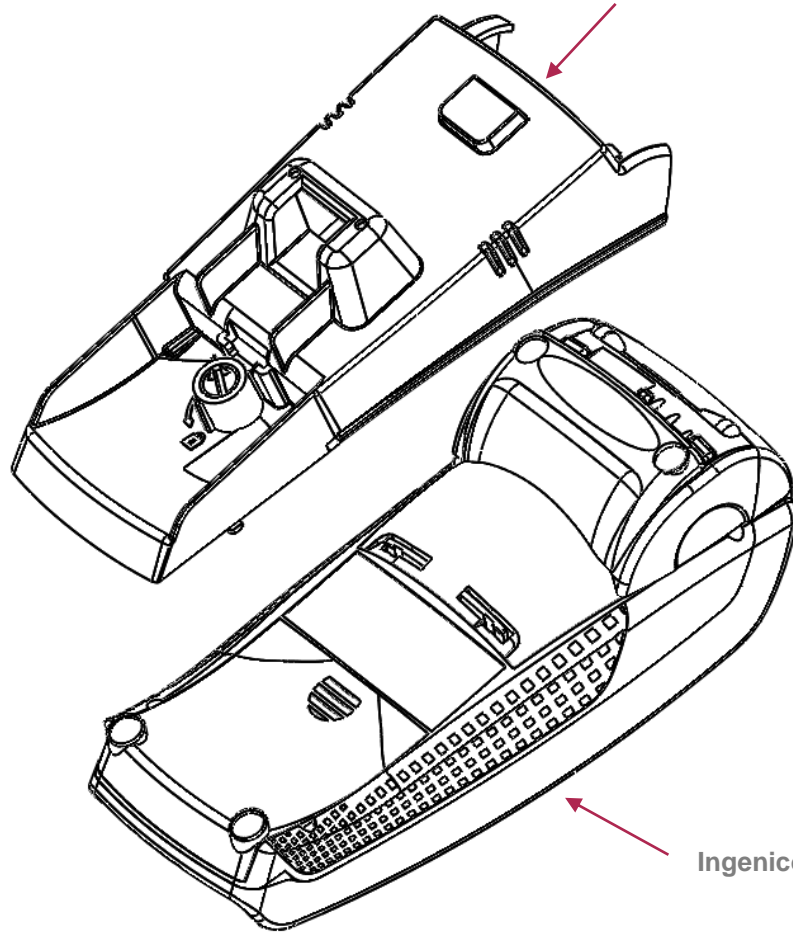


Ingenico iCT220/250 BackPlate



Ingenico iCT220/250 Terminal

