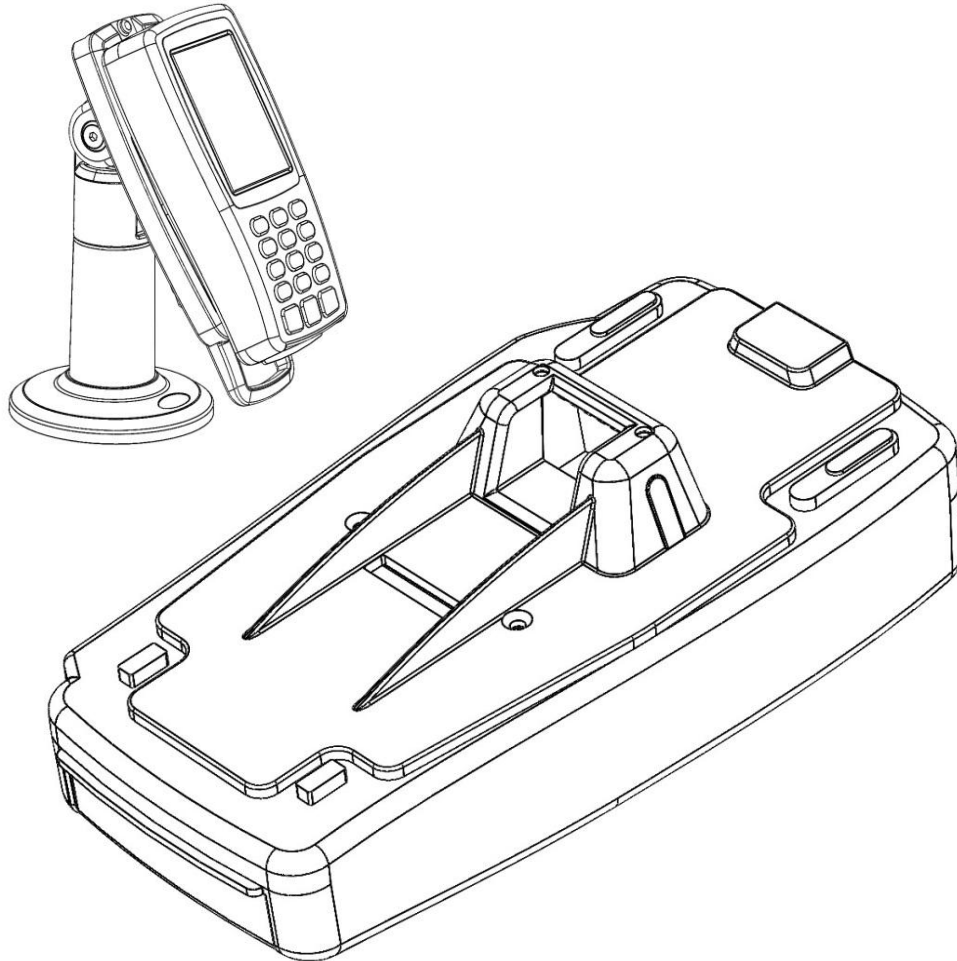
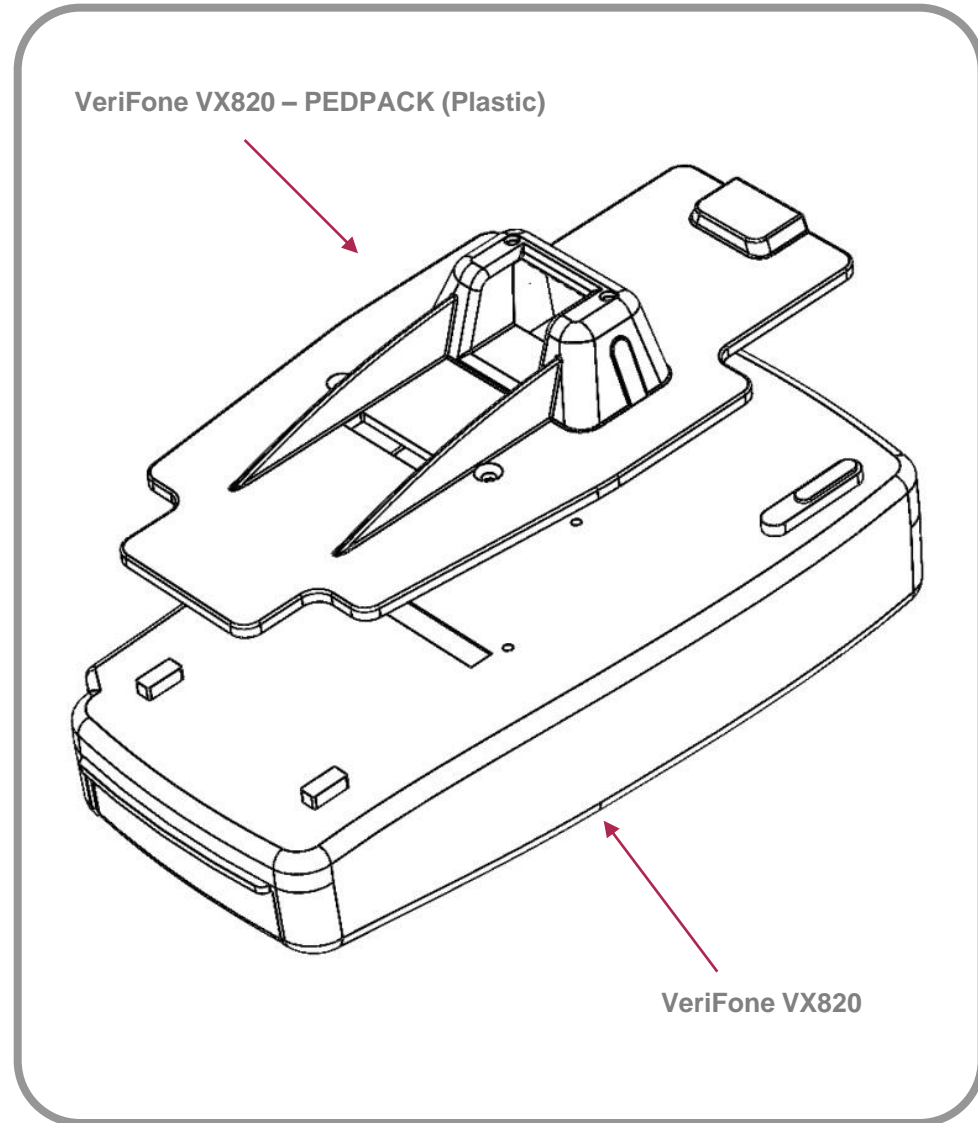


# VeriFone VX820 PEDPack (Plastic) Quick Installation Guide



## VeriFone VX820 - PEDPack (Plastic)

Quick Installation Guide



### TOOLS

#### RECOMMENDED

Torque setting 40CNm  
for all screw fixings

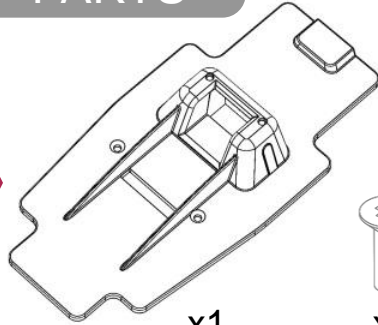


PH



5 min

### PARTS

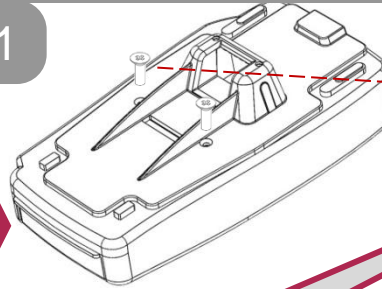


x1



x2

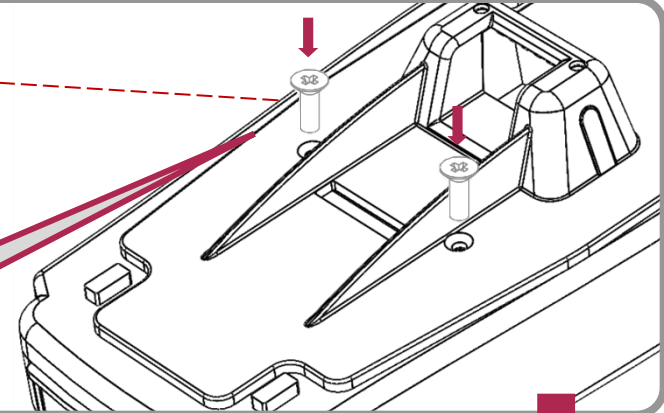
1



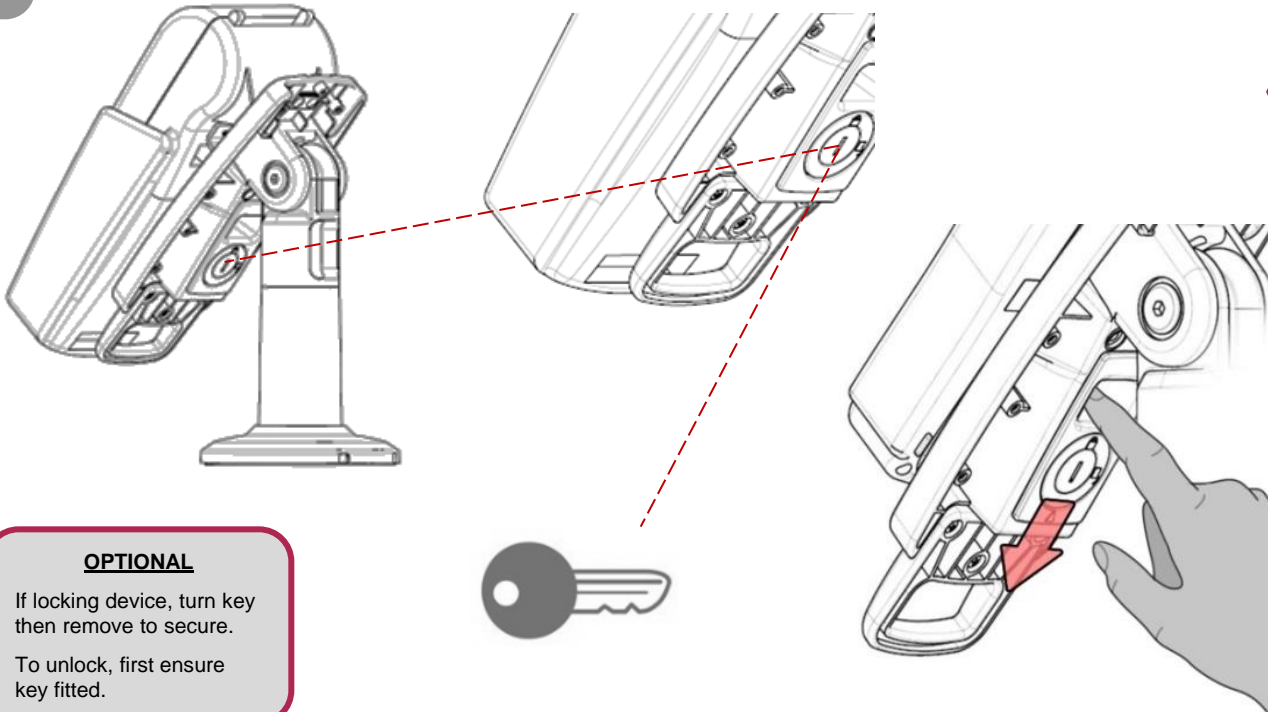
x2



Torque setting 40CNm



2



#### OPTIONAL

If locking device, turn key  
then remove to secure.

To unlock, first ensure  
key fitted.

To remove device...

3

