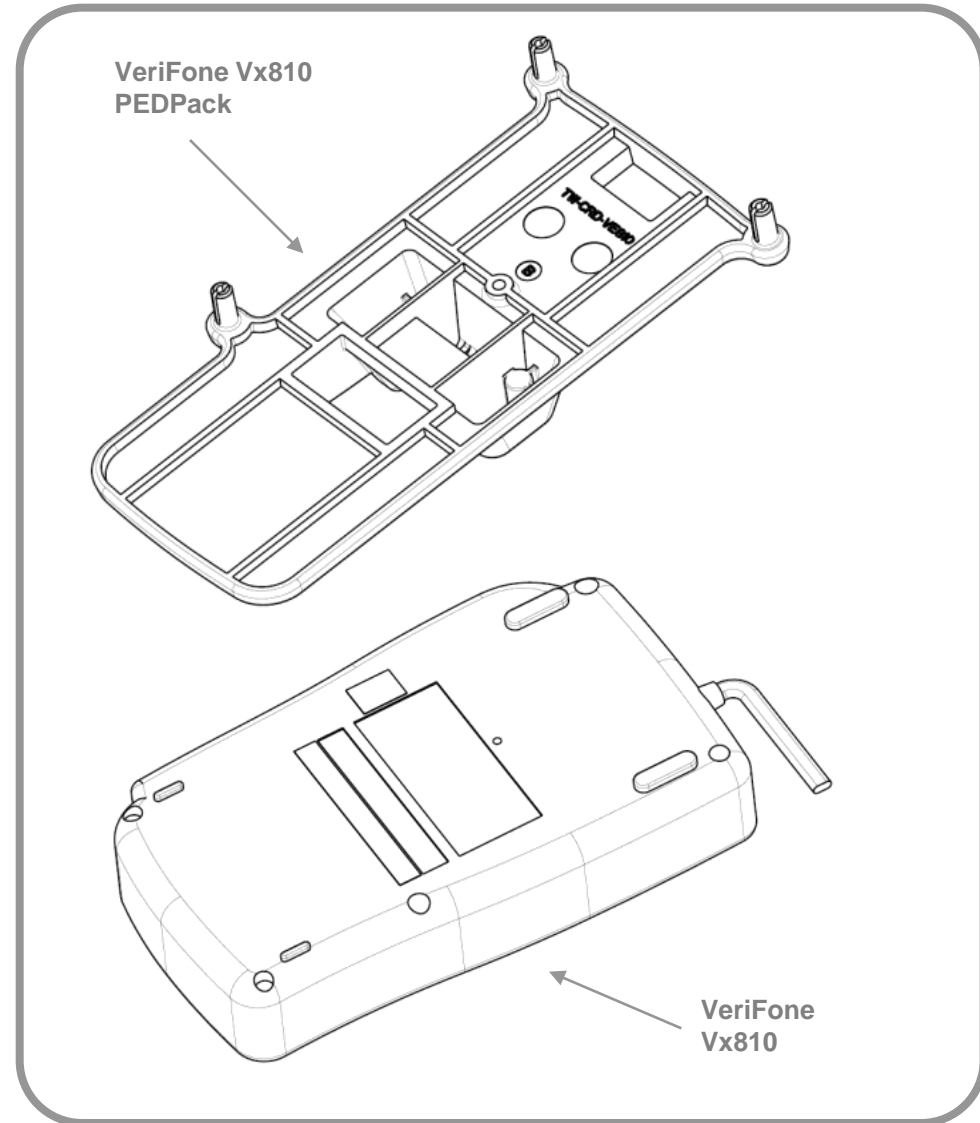
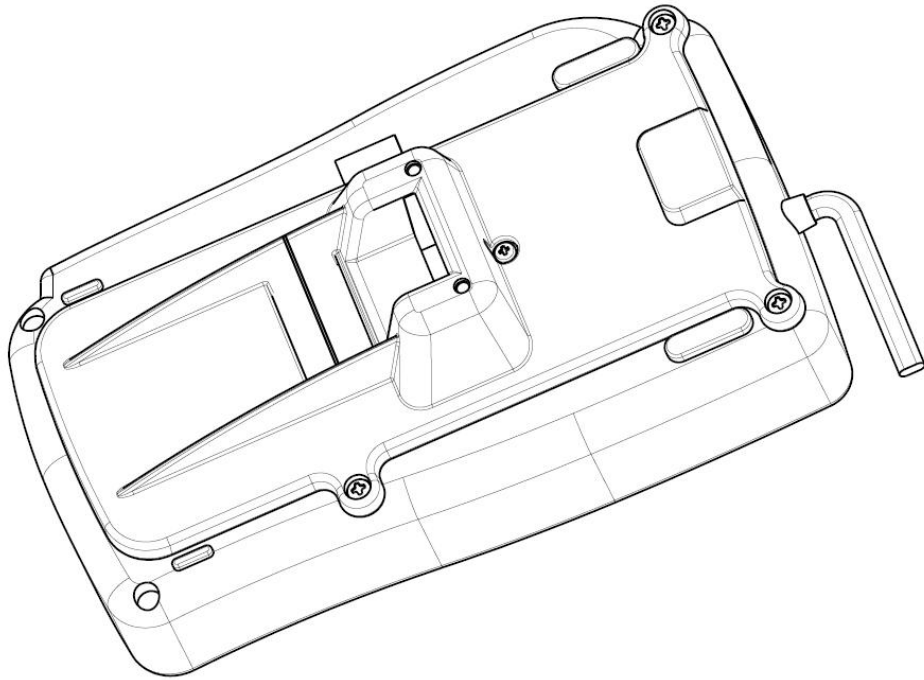


VeriFone Vx810 PEDPack

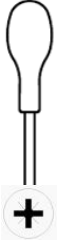
Quick Installation Guide



TOOLS

RECOMMENDED

Torque setting 40CNm
for all screw fixings

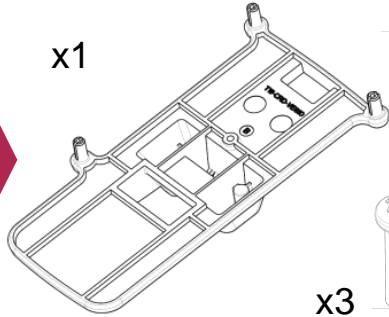


PZ



PARTS

x1



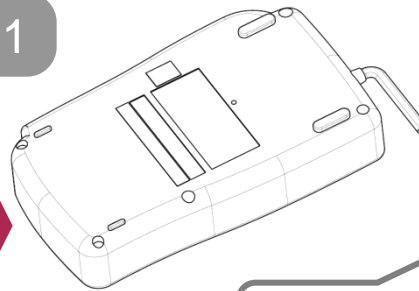
x1



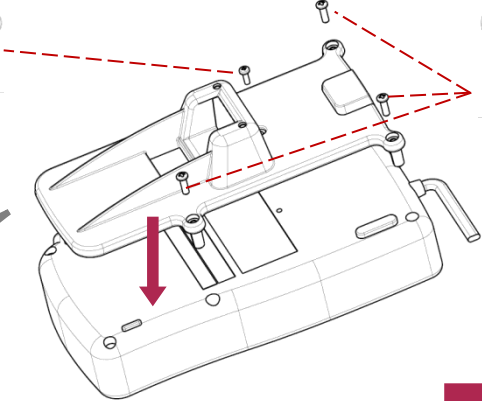
x3



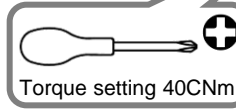
1



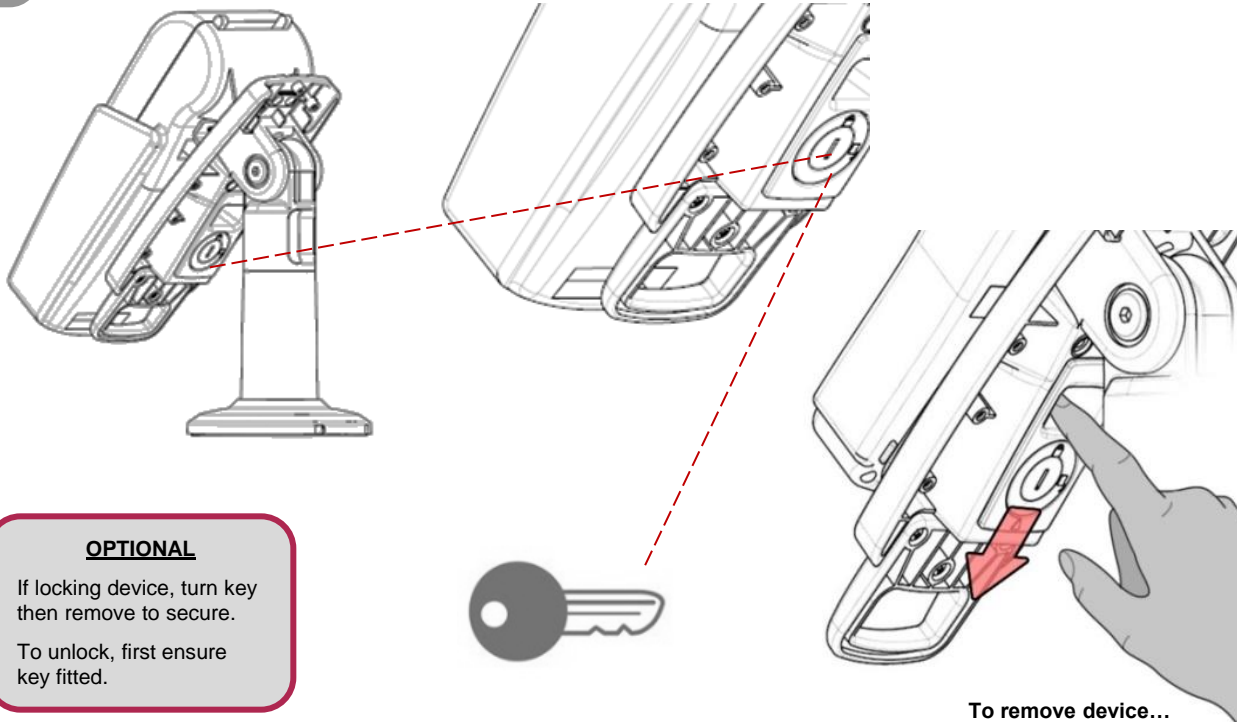
x1



x3



3



OPTIONAL

If locking device, turn key
then remove to secure.

To unlock, first ensure
key fitted.

To remove device...

2

