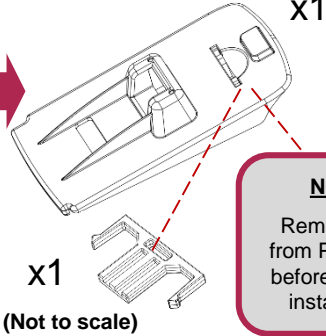


TOOLS



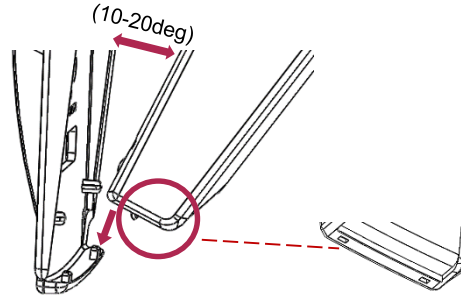
PARTS



NOTE
Remove clip from PEDPack before starting installation

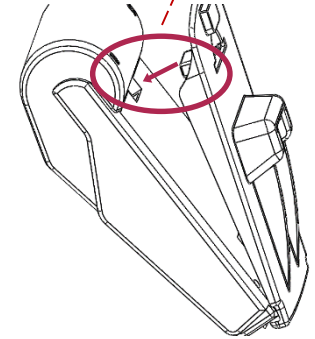
1

Engage the payment terminal onto the PEDPack tabs at approximately 10-20 degrees.

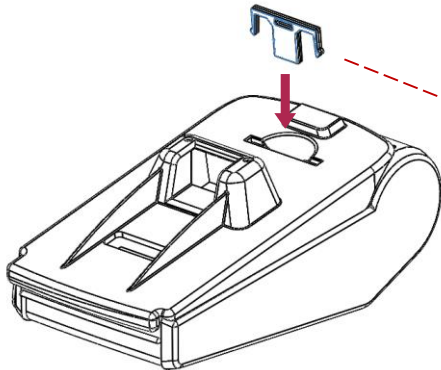


2

Swing the PEDPack into the payment terminal and push until the centre clip engages and they are flush with each other.

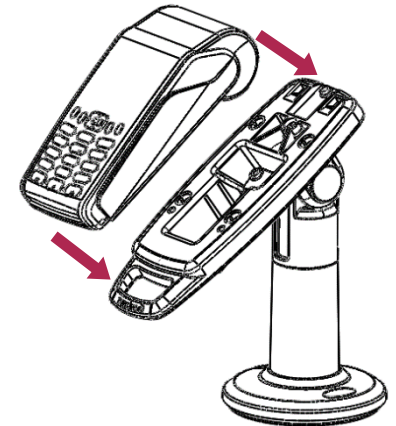


3A



Insert the retaining clip into the slot at the rear until you hear it click into place. Note: the orientation of the clip does not matter.

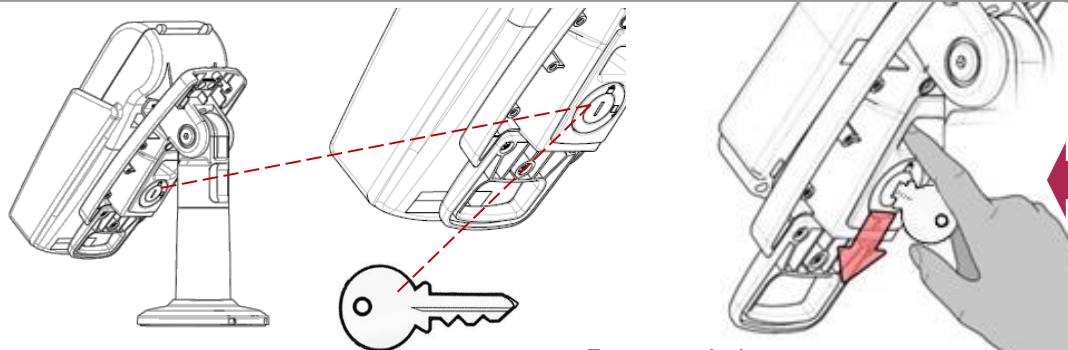
4



5

OPTIONAL

If using locking stand, follow step 4, then turn key and remove key to secure.



To remove device...