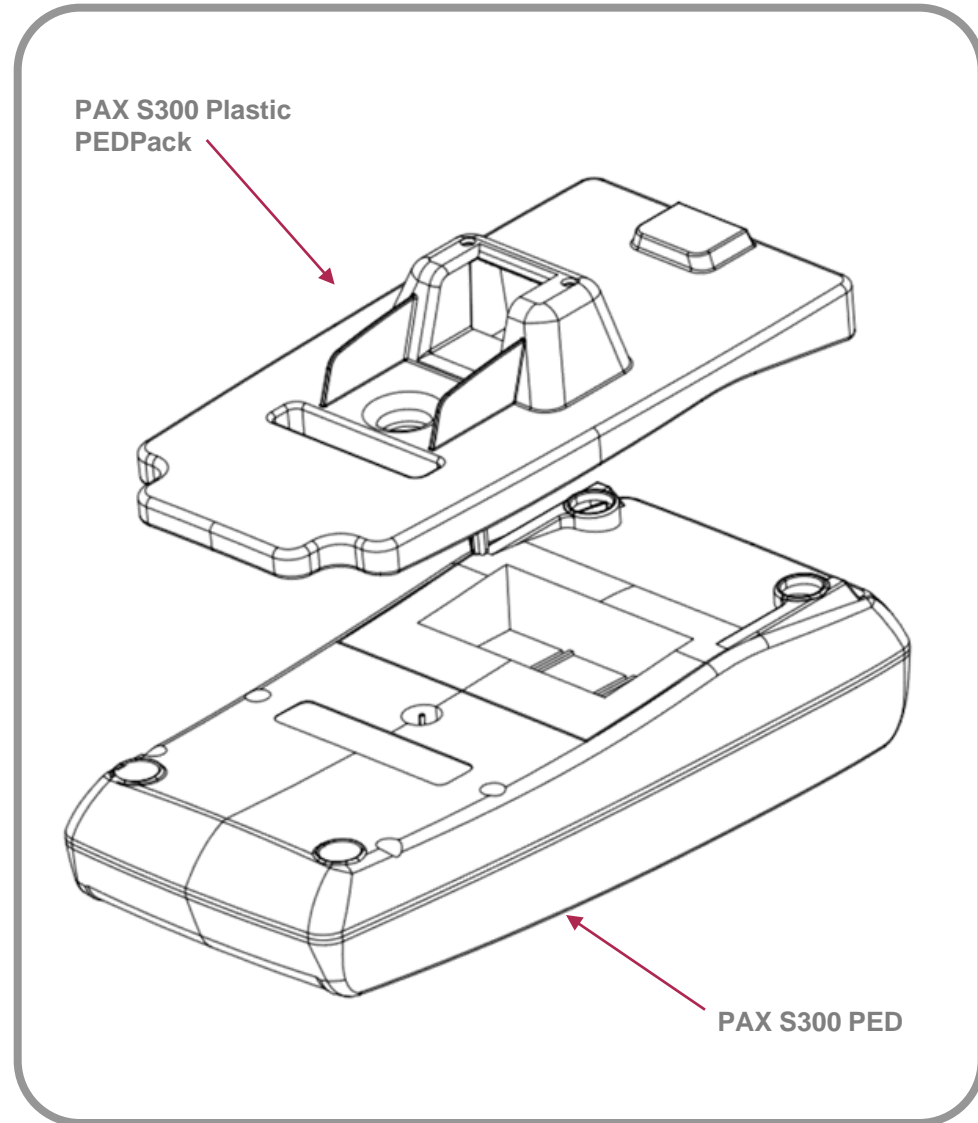
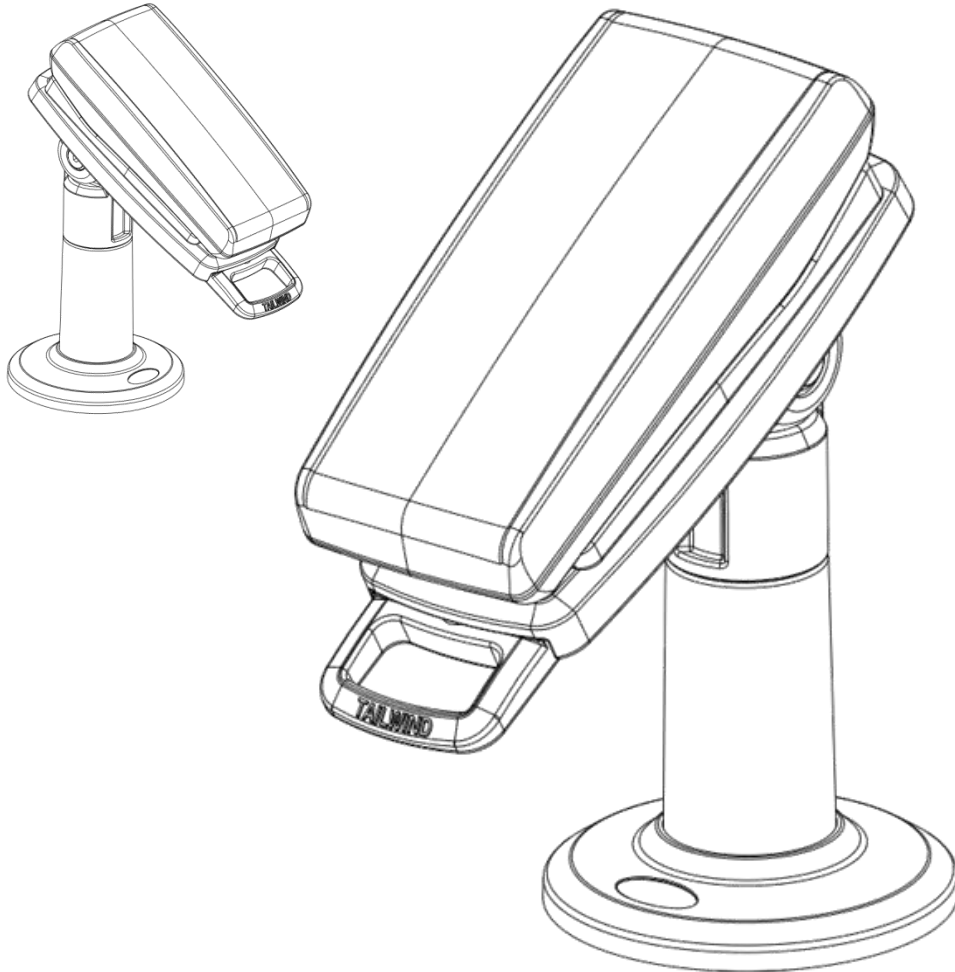


PAX S300 Plastic PEDPack

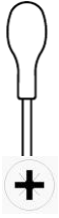
Quick Installation Guide



TOOLS

RECOMMENDED

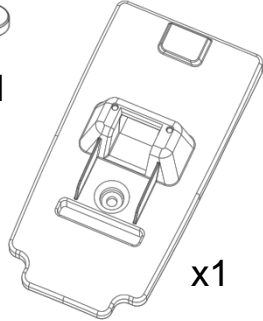
Torque setting 40CNm
for all screw fixings



PARTS



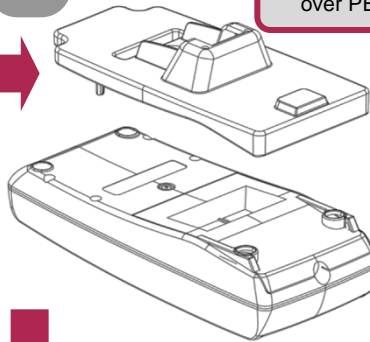
x1



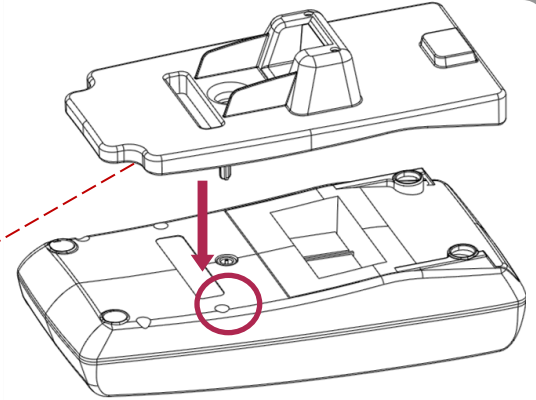
x1

1

Fit PEDPack
over PED



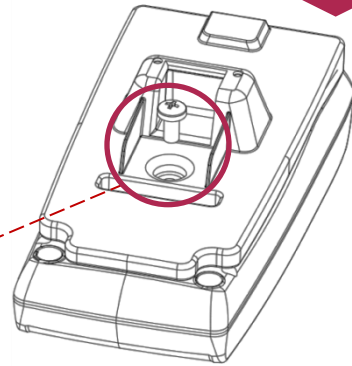
Fit tabs into
holes on
both sides



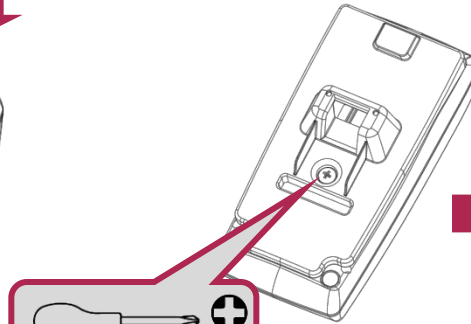
2



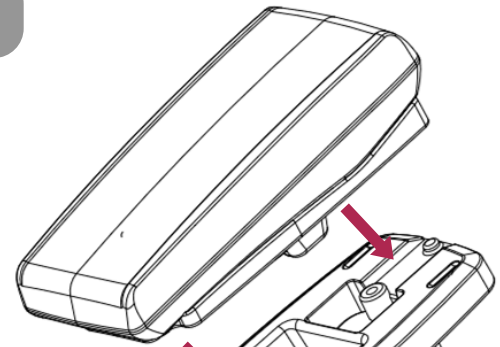
Fit screw
supplied into
hole



Torque setting 40CNm



3

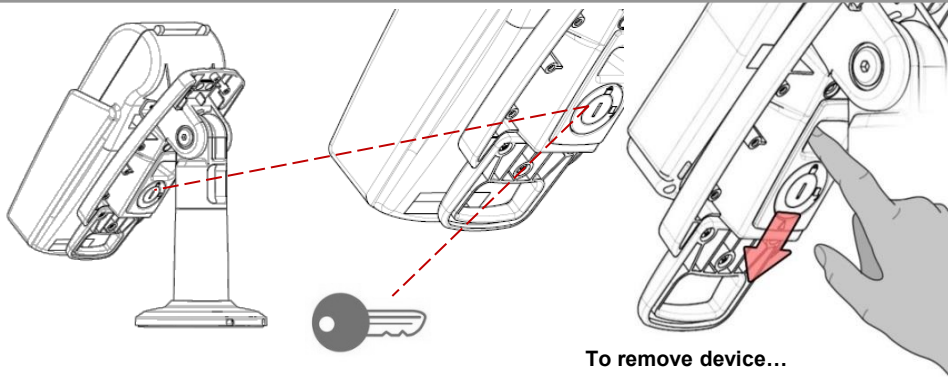


4

OPTIONAL

If locking device, turn key
then remove to secure.

To unlock, first ensure
key fitted.



To remove device...

