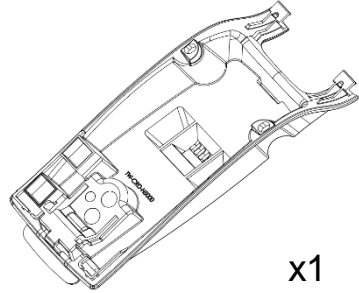


#### TOOLS



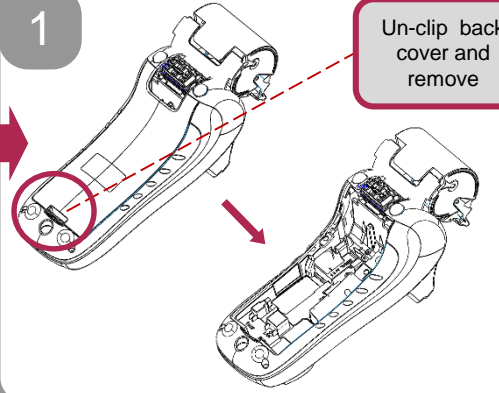
5 min

#### PARTS



x1

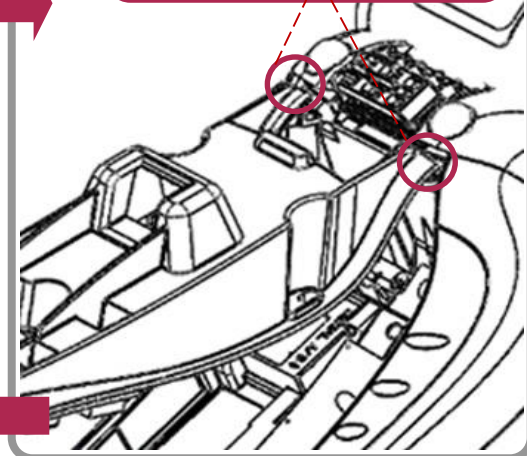
1



Un-clip back cover and remove

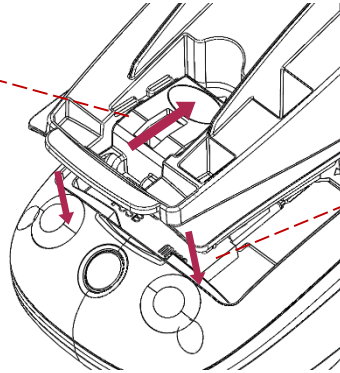
2

Line up the two clips on the PEDPack with the two shoulders on the payment terminal and engage at approximately 10-30 degrees



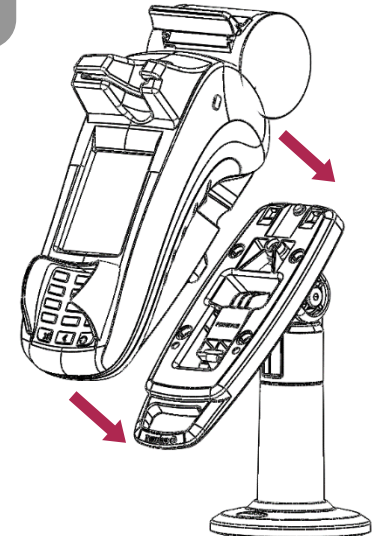
3A

Slide clip up towards top of payment terminal



With clip slid upwards, simultaneously push the PEDPack down into the payment terminal and fully engage before allowing the clip to slide back into place.

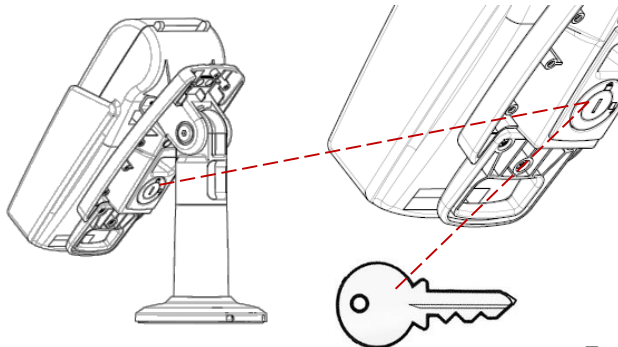
4



5

#### OPTIONAL

If using locking stand, follow step 4, then turn key and remove key to secure.



To remove device...

