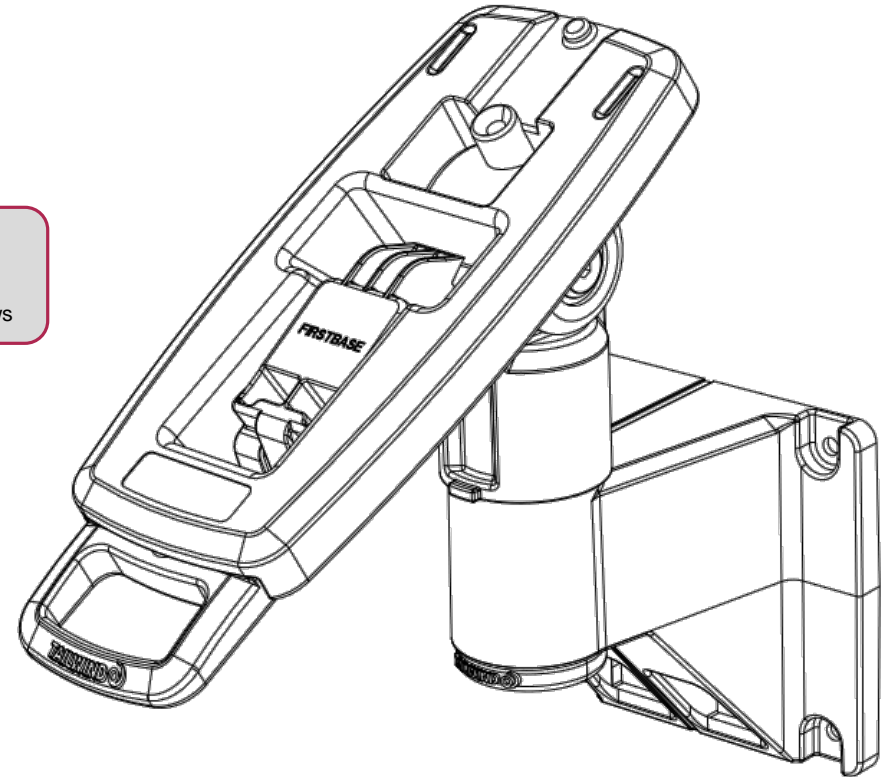
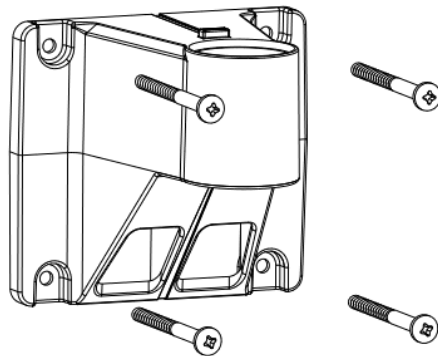


Alternative VESA Mount Fitting Instructions

Standard 75x75 VESA Mount

Fit using 4 x appropriate length screws



TOOLS

**Standard Allen Key
or Torque Driver**

(1.3NM)

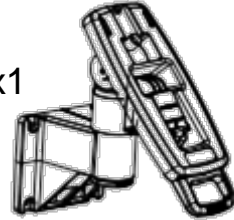
NOTE

Must use qualified personnel to
drill holes and fit



PARTS

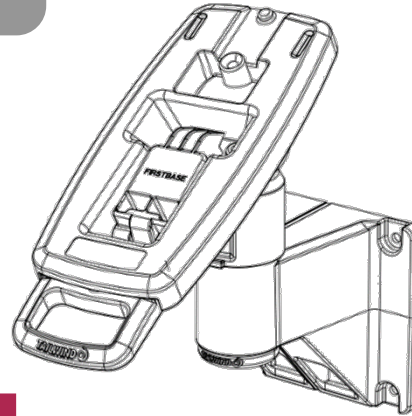
x1



NOTE

Four appropriate length No 8
Woodscrews with Roundhead must
be selected to fit FlexiPole Contour

1



WOOD MOUNT

1. Select appropriate flat surface to mount
2. Select 4 appropriate length No 8 woodscrews to fit unit

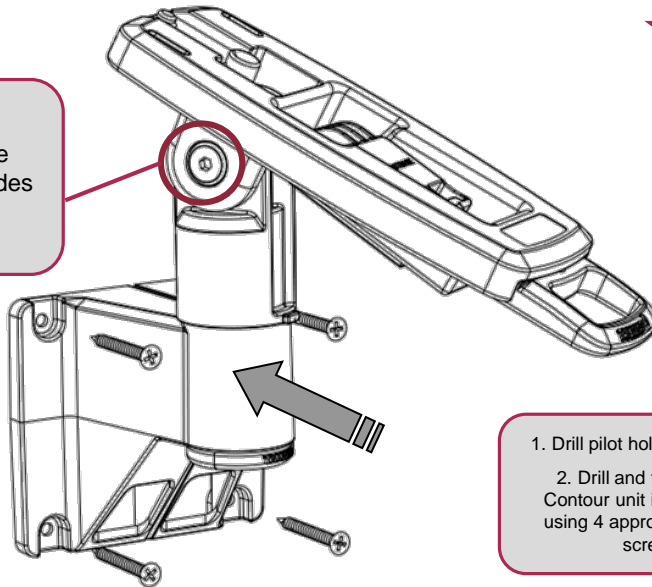
OTHER

1. Select appropriate fitting screw and use qualified personnel to fit

2

NOTE

Use Allen Key or Torque
Driver to tighten both sides
of hinge bolt to desired
tension 1.3NM.



1. Drill pilot hole in wood first.
2. Drill and fit FlexiPole Contour unit in 4 positions using 4 appropriate length screws

4

