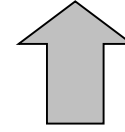
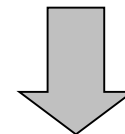
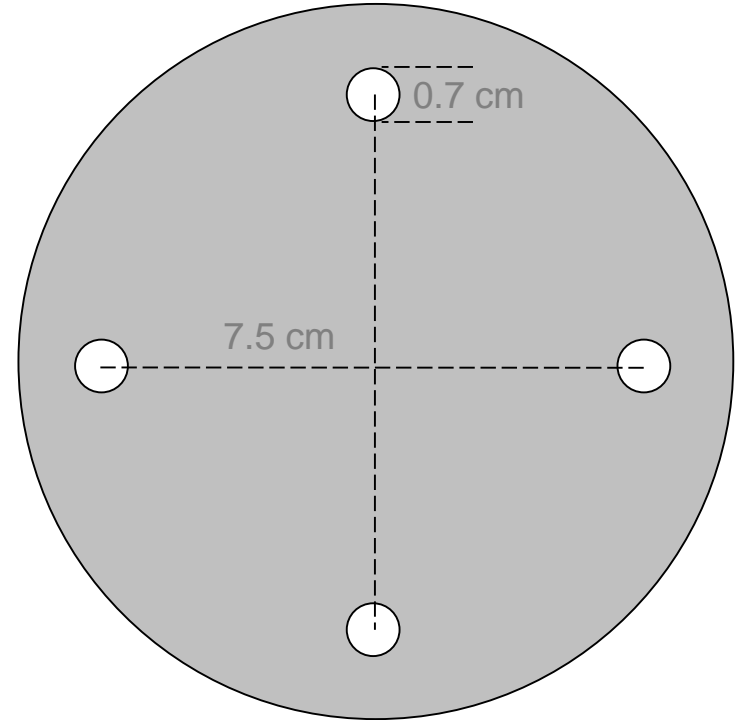


DRILL TEMPLATE



CABLES

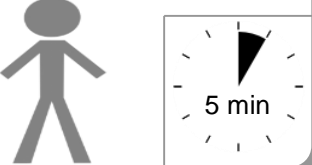


CUSTOMER

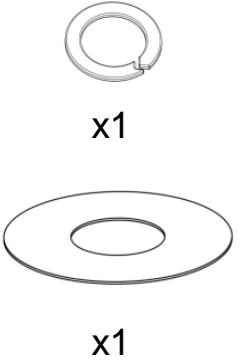
TOOLS

**Standard Allen Key
or Torque Driver (1.3 NM)**

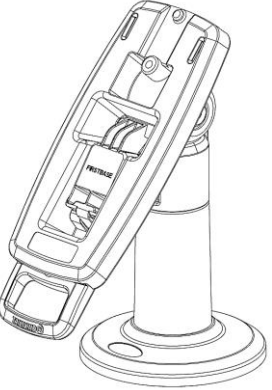
Note
No drill required if using adhesive pad provided.
If using drill template, use suitably qualified personnel to install.



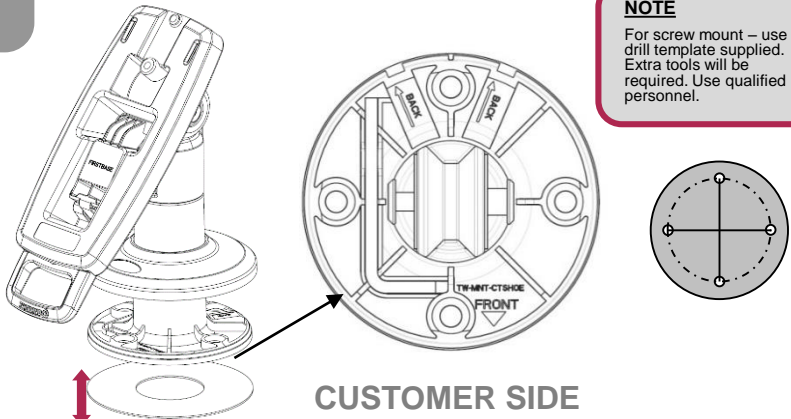
PARTS



1

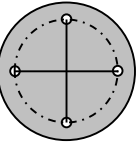


x1

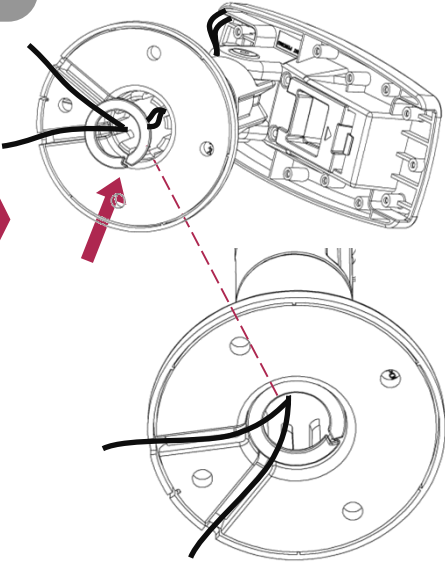


CUSTOMER SIDE

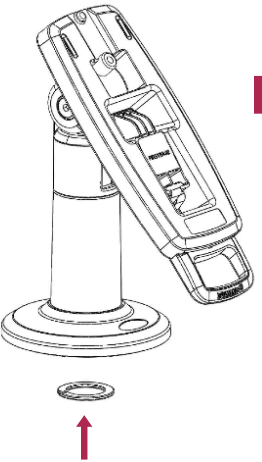
NOTE
For screw mount – use drill template supplied. Extra tools will be required. Use qualified personnel.



2

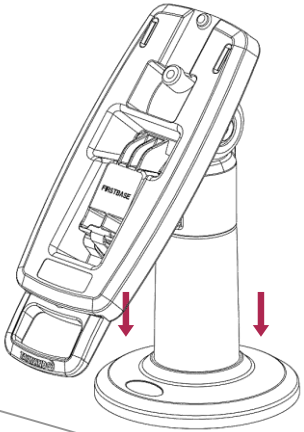


Optional
Use washer as shown, if routing cables through pole.



3

PUSH down here



4

NOTE
Use Allen Key or Torque Driver to tighten both sides of hinge bolt to desired tension (1.3 NM recommended)

