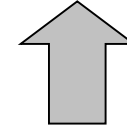
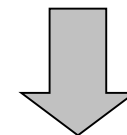
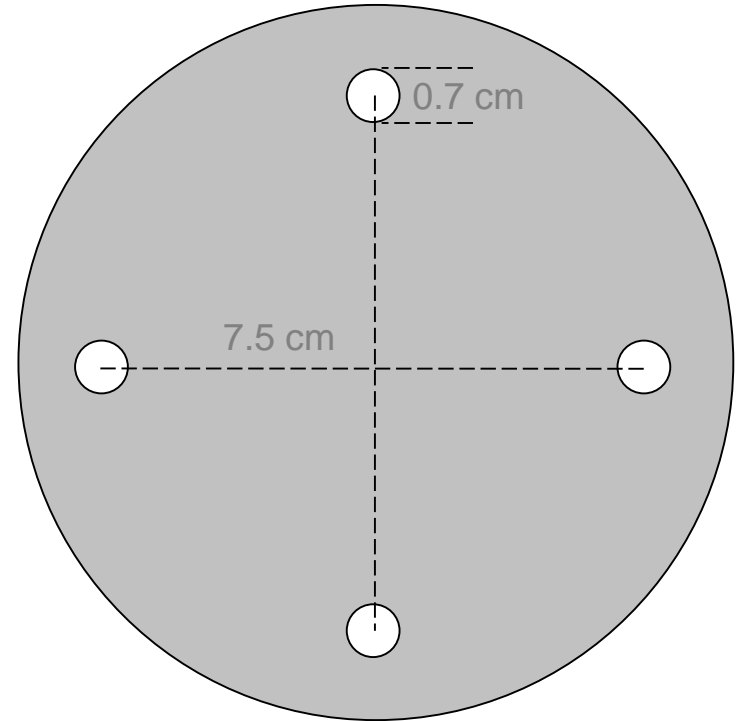


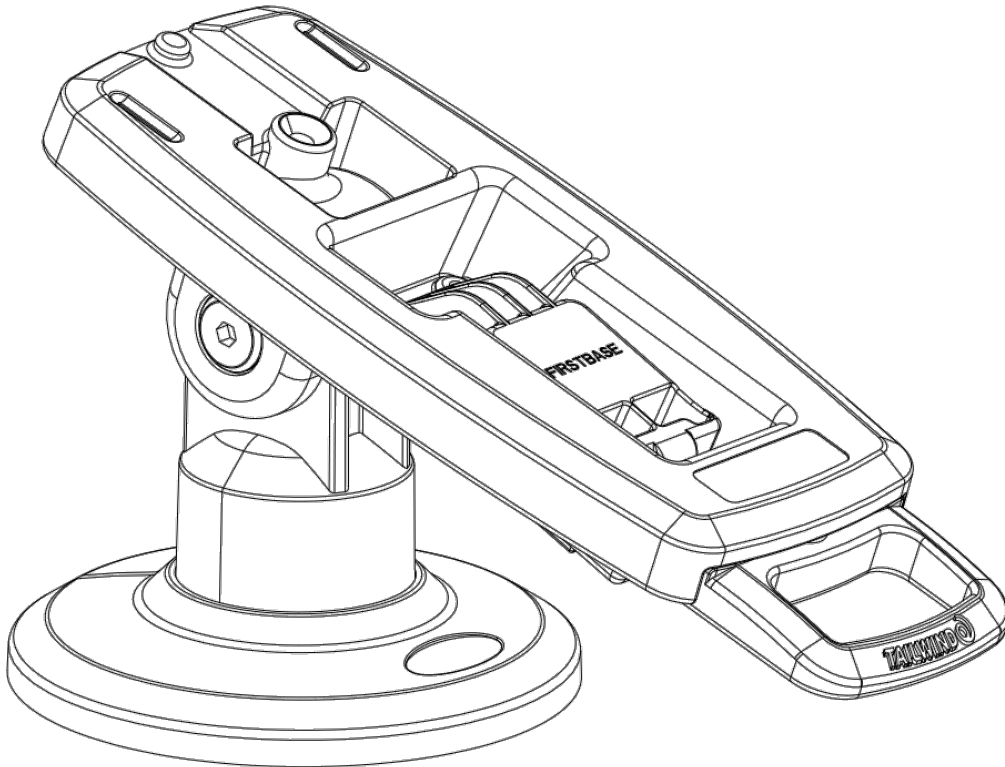
DRILL TEMPLATE



CABLES





CUSTOMER



TOOLS

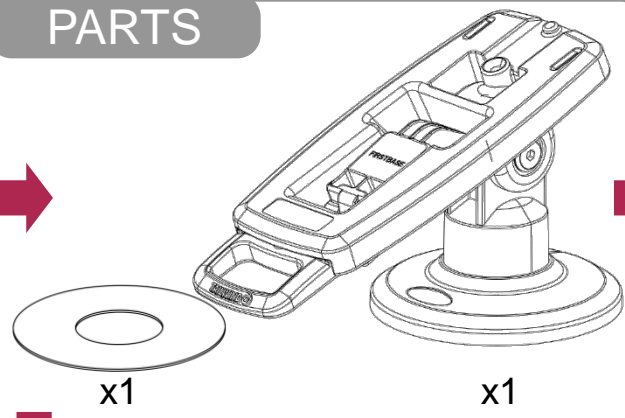
Standard Allen key or Torque driver 1.3NM

NOTE
If using drill template, use qualified personnel

5 min

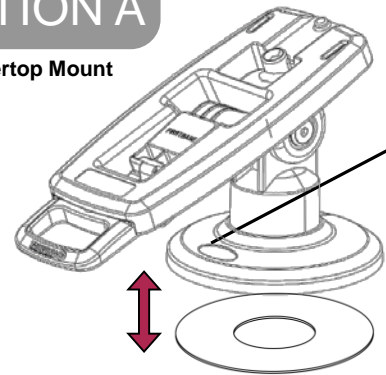
PARTS



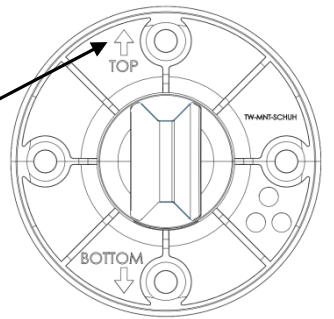
x1

x1

OPTION A
Countertop Mount



CUSTOMER SIDE

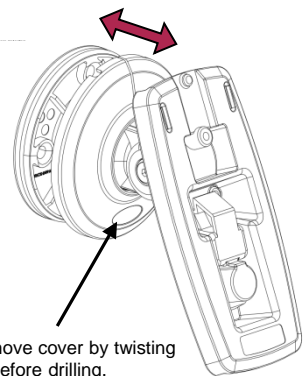


↑ TOP

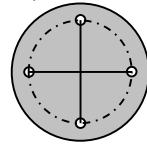
THRU-HOLE

↓ BOTTOM

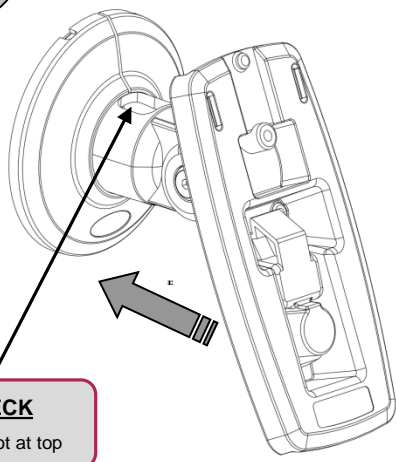
OPTION B
Wall Mount



Remove cover by twisting off before drilling.

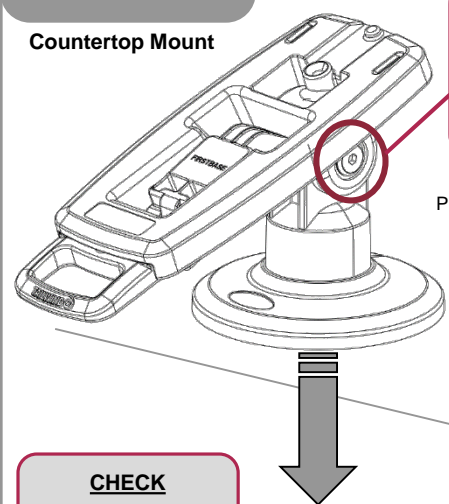


NOTE
For wall mount – use drill template supplied. Extra tools will be required. Use qualified personnel.



CHECK
Cable slot at top

OPTION A
Countertop Mount



Push down

NOTE
Use Allen Key or Torque Driver to tighten both sides of hinge bolt to desired tension 1.3NM.

CHECK
Cable slot not facing customer side

CUSTOMER SIDE