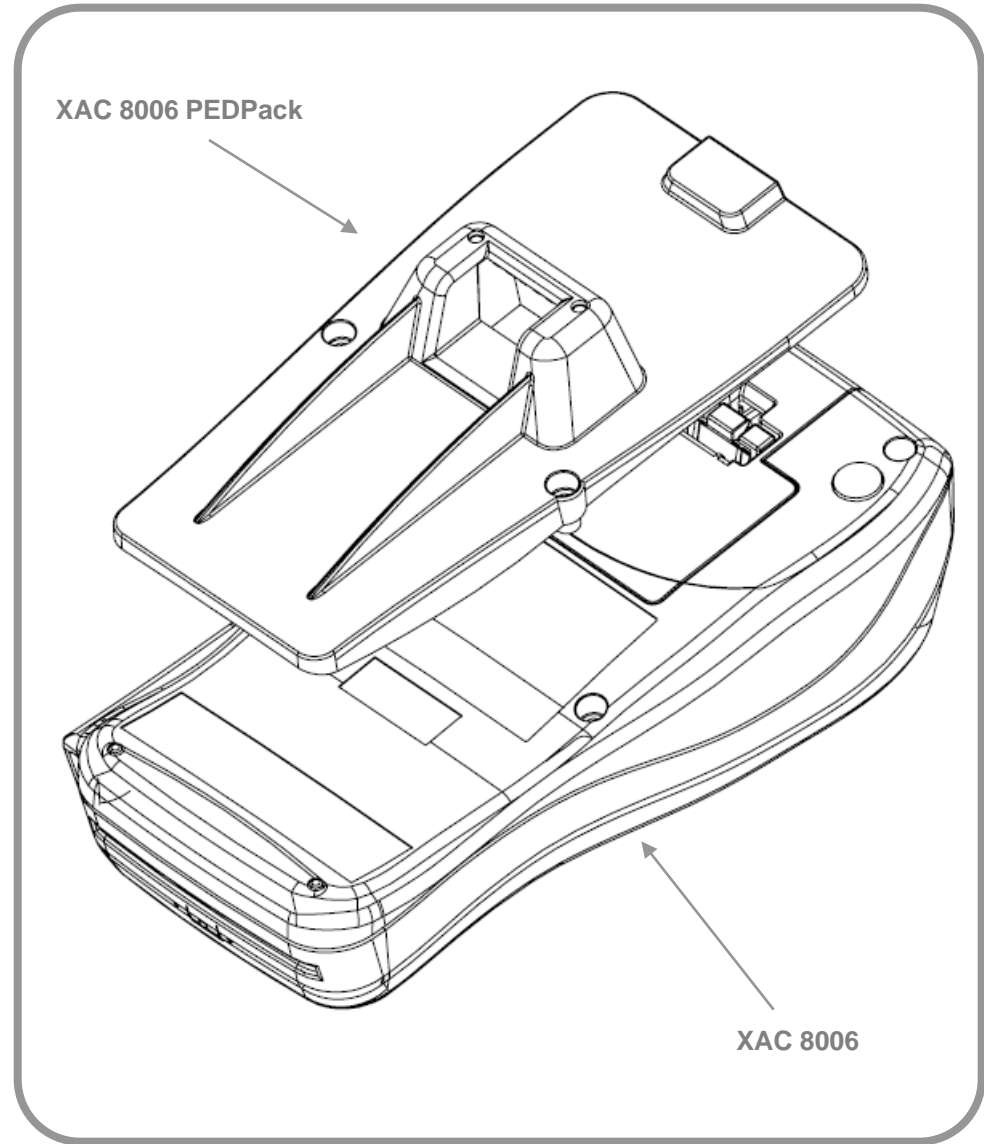


# XAC 8006 PEDPack

## Quick Installation Guide



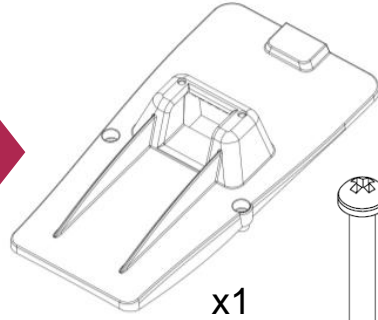
### TOOLS

**RECOMMENDED**

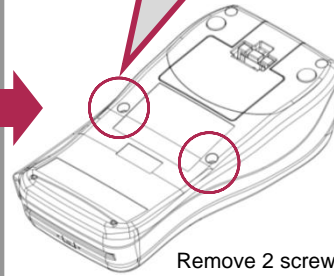
Torque setting 40CNm  
for all screw fixings



### PARTS

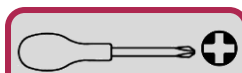


1

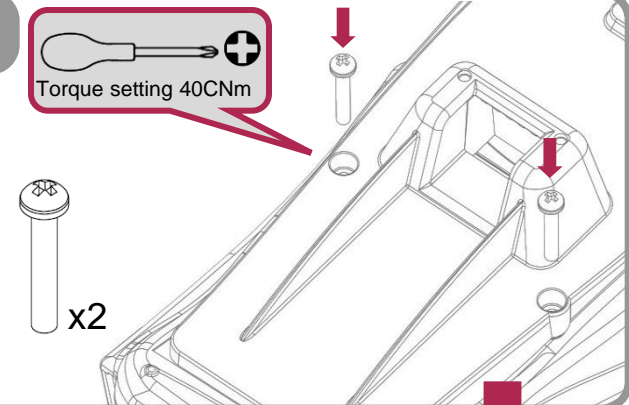


Remove 2 screws  
in PED first!

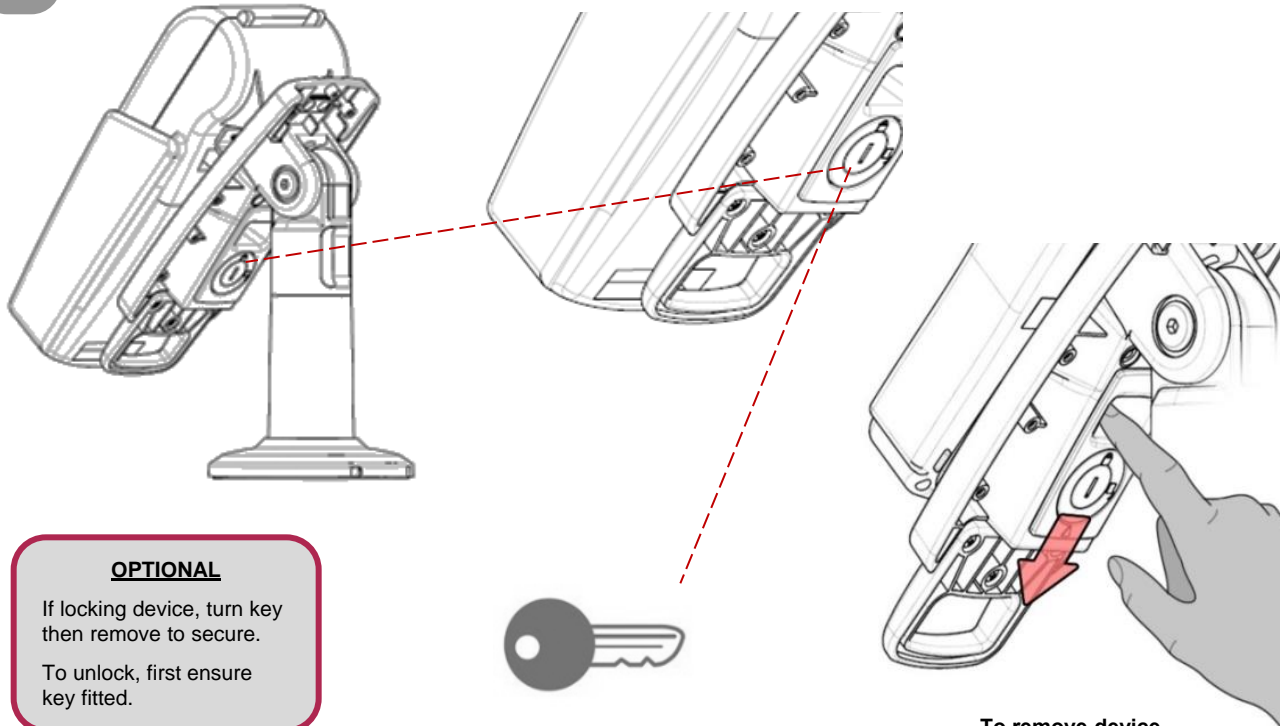
2



Torque setting 40CNm



4



**OPTIONAL**

If locking device, turn key  
then remove to secure.

To unlock, first ensure  
key fitted.

To remove device...

3

